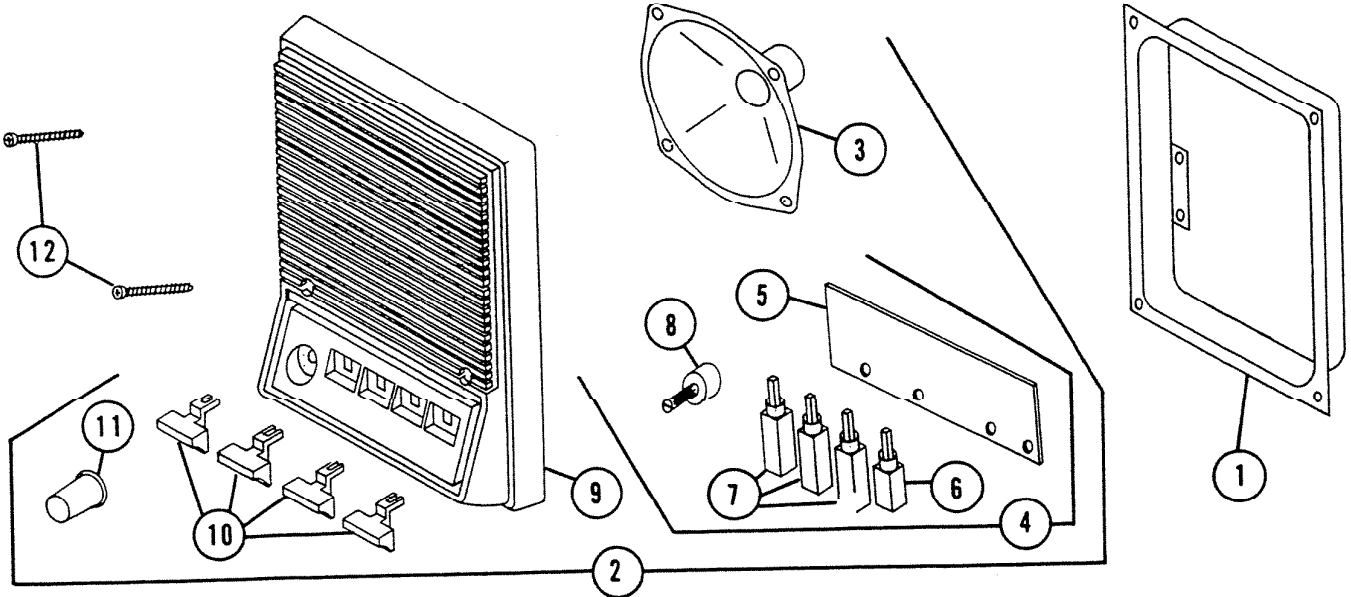


# PARTS LIST

<b>EFFECTIVE DATE</b>	<b>MODEL</b>	<b>PRODUCT GROUP</b>
SEPTEMBER 1976	ISA-45 IR-5 NEW	ELECTRONIC



REF.	ORIGINAL PART NO	* PART DESCRIPTION	MODEL USED ON	CURRENT REPLACEMENT PART NO.
1	32017	Rough in Frame	IR-5	13122-900
2		Speaker Comp.	ISA-45	13716-900
3	36090	Speaker, 5"	ISA-45	36090-000
4	41795	P.C. Board Assy.	ISA-45	41795-000
5	37640	P.C. Board only	ISA-45	37640-000
6	34637	Push Switch DPDT	ISA-45	34637-000
7	34636	Push Switch 4 PDT (1) 3-Required	ISA-45	34638-000
8	34059	Volume Control	ISA-45	34059-000
9	38728	Speaker Panel	ISA-45	38728-000
10	38729	Operating Arm (1) 4-Required	ISA-45	38729-000
11	39557	Knob Volume Control	ISA-45	39557-000
12	41621	Envelope Assy. (Mtg. Screws)	ISA-45	41621-000

**NuTone Division**  
**Scovill**

Order Parts From:  
Parts Department c/o NuTone  
P.O. Box 27 • Cincinnati, Ohio 45227

**NOTE:** Always order by current part number

C.P. ISA-45, IR-5