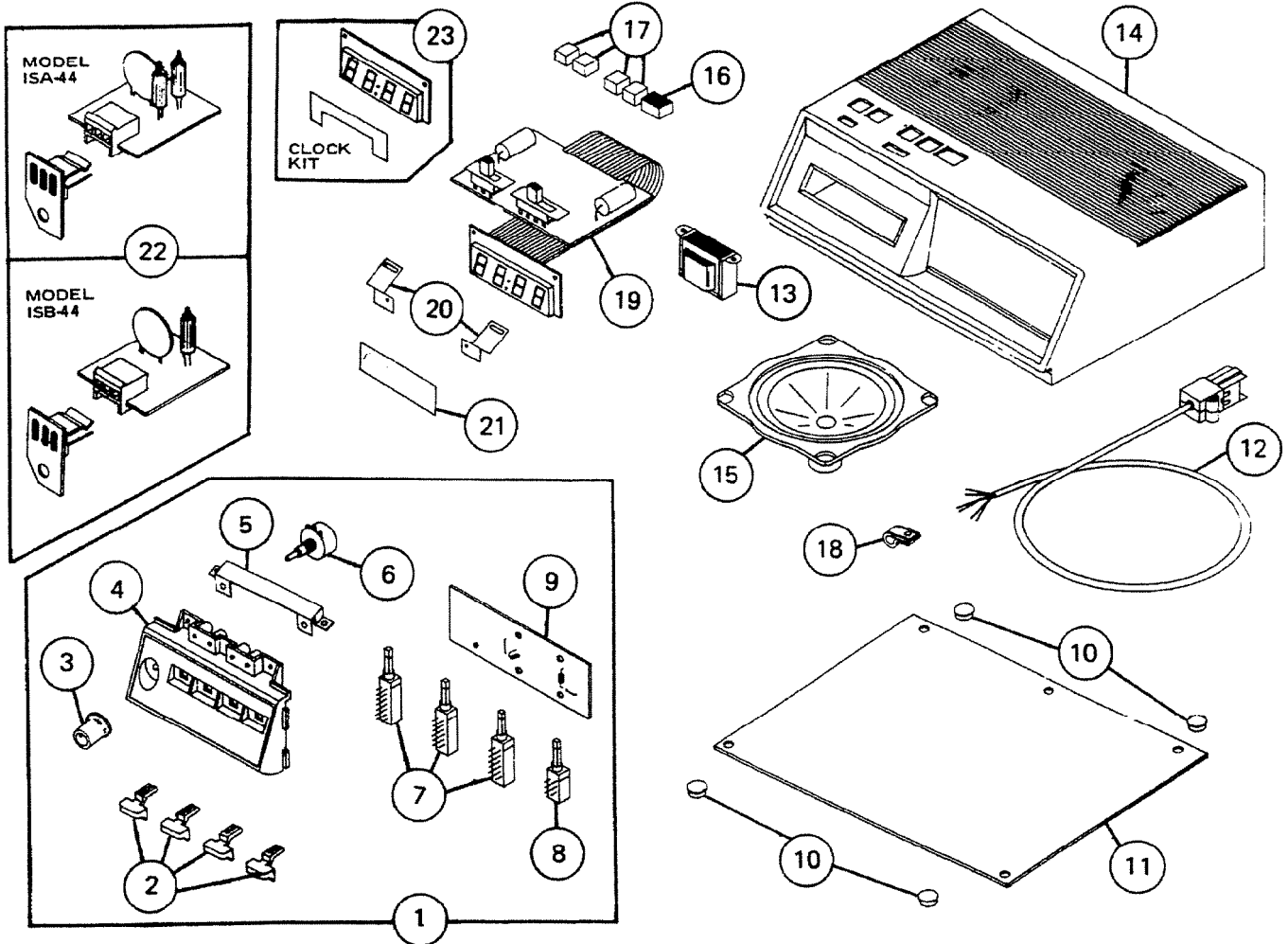


PARTS LIST

EFFECTIVE DATE	MODEL	PRODUCT GROUP
APRIL 1980	ISA-44, ISB-44 REVISED	ELECTRONICS



REF.	ORIGINAL PART NO.	PART DESCRIPTION	MODEL USED ON	CURRENT REPLACEMENT PART NO.
1	42304	CONTROL INSERT ASSEMBLY	ISA-44, ISB-44	42304-000
2	38729	OPERATING ARM (1)	ISA-44, ISB-44	38729-000
3	39557	KNOB VOLUME	ISA-44, ISB-44	39557-000
4	38758	CONTROL INSERT	ISA-44	38758-000
	38973		ISB-44	38973-000
5	39675	MOUNTING BRACKET -- INSERT	ISA-44, ISB-44	39675-000
(PLEASE SEE OTHER SIDE)				

NuTone

↑
NOTE: Always order by
current part number.
DI-ISA44 ISB44

REF.	ORIGINAL PART NO.	PART DESCRIPTION		MODEL USED ON	CURRENT REPLACEMENT PART NO.
6	34059	POTENTIOMETER		ISA-44, ISB-44	34059-000
7	34632	PUSHSWITCH 4 P.D.T. (1)		ISA-44	34632-000
	34636			ISB-44	34636-000
8	34633	PUSHSWITCH D.P.D.T.		ISA-44	34633-000
	34637			ISB-44	34637-000
9	41796	P.C. BOARD ASSEMBLY		ISA-44	41796-000
	41795			ISB-44	41795-000
10	39680	FOOT BUMPER SET (2)		ISA-44, ISB-44	1535A-000
11	38940	BASE		ISA-44, ISB-44	38940-000
12	42301	CONNECTOR & CABLE ASSEMBLY		ISA-44, ISB-44	42301-000
13	42291	TRANSFORMER ASSEMBLY		ISA-44	42291-000
	42403			ISB-44	42403-000
14	42299	SPEAKER/CLOCK TIMER HOUSING		ISA-44	42299-000
	42405			ISB-44	42405-000
15	36090	SPEAKER		ISA-44, ISB-44	36090-000
16	38934	PUSHBUTTON CAP – DOZE		ISA-44, ISB-44	38934-000
17	38933	PUSHBUTTON CAP (1) – 4 REQUIRED		ISA-44, ISB-44	38933-000
18	31851	CABLE CLAMP		ISA-44, ISB-44	31851-000
19	42309	CLOCK P.C. ASSEMBLY		ISA-44	1556A-000
	42406			ISB-44	42406-000
20	38938	MOUNTING BRACKET	R.H.	ISA-44	38938-000
	38970			ISB-44	38970-000
	38939		L.H.	ISA-44	38939-000
	38969			ISB-44	38969-000
21	38931	LENS		ISA-44	38931-000
22	42288	ENVELOPE ASSEMBLY PROTECTION CIRCUIT		ISA-44	42408-000
	42408			ISB-44	
23	36112	CLOCK KIT – KIT CONTAINS 1 – CLOCK ONLY, 1 ADAPTOR		ISA-44 ONLY	1555A-000

REVISED REPLACEMENT PARTS

Resistors: Value in Ohms \pm 5%, 1/4-watt, Carbon Film, unless otherwise noted.

K = Kilo = 10^3 M = Mega = 10^6

Capacitors: Value in micro farads (10^{-6}) \pm 10%, 500Vdc, Ceramic Disc, unless otherwise noted.

p = pico = 10^{-12}

Schematic Symbol	NuTone Part No.	Description
SPEAKER CONTROL ISB-34 AND ISC-37		
	42300-000	Complete Assembly for ISB-34
	42286-000	Complete Assembly for ISC-37
	39826-000	Front Panel Control Insert Only
	42287-000	PC Control Board, Complete Assembly
	37701-000	PC Board Only
C1	35091-115	Capacitor, 33, +100%, -10% 35WVDC, Electrolytic
R1	33082-102	Resistor, 1K
R2	33082-822	Resistor, 8.2K
R3	34059-000	Potentiometer, 200 \pm 20%, 1.5W, 270° \pm 5° rotation, linear taper VOLUME CONTROL C.T.S. of Berne Inc. #1NS-115
	39557-000	Knob for R3
S1-S3	39713-000	Pushbutton, TALK/TALK/LISTEN
	39746-000	Spring, Coil, return for S1-S3
	39715-000	Contact, spring for S1-S3
	39759-015	Screw #6 — 20 \times 1/2, wire terminal and PC Board to insert mounting
	39675-000	Mounting Bracket, insert to chassis for ISB-34
	52789-015	Screw #6 \times 3/8, mounting bracket to insert for ISB-34
	39395-015	Screw #8 \times 1 1/2, insert to chassis for ISB-37
	31256-015	Screw #8 \times 1/4 mounting bracket to chassis for ISB-34
SPEAKER CONTROL ISB-44 AND ISC-47		
	42304-000	Complete Assembly for ISB-44
	41854-000	Complete Assembly for ISC-47
	38973-000	Front Panel Control Insert
	41795-000	PC Control Board, Complete Assembly
	37640-000	PC Board Only
R1	34059-000	Potentiometer, 200 \pm 20%, 1.5W, 270° \pm 5° rotation, linear taper, VOLUME CONTROL C.T.S. Berne Inc. #1NS-115
R2	33101-103	10K \pm 10%, 1/2 watt, Carbon Composition
R3	33101-221	220 \pm 10%, 1/2 watt, Carbon Composition
	39557-000	Knob, for R1
S1	34637-000	Switch, DPDT, Momentary, DOOR LISTEN
S2, S3, S4	34636-000	Switch, 4PDT, Momentary, DOOR TALK, I/P TALK, I/P LISTEN
	38729-000	Operating Arm for S1-S4
	39395-015	Screw #8 — 18 \times 1 1/2 mounting control insert to chassis — ISC-47
	39708-003	Screw #6 — 20 \times 3/8 — wire terminal and PC Board to insert mounting
	39675-000	Mounting Bracket, insert to chassis — ISB-44

Schematic Symbol	NuTone Part No.	Description
	39395-015	Screw #8 — 18 \times 1 1/2, insert to bracket
	31256-000	Screw #8 \times 1/4, bracket to chassis
CLOCK CONTROL (ALL MODELS)		
	42412-000	Complete PC Assembly ISC-37/47
	42406-000	Complete PC Assembly ISB-34/44 (Assemblies include Clock and Transformer Assembly)
	37717-000	PC Board Only
Diodes		
D1	36549-000	Silicon Rectifier, 1 Amp DC 100 PIV, Type 1N4002
D2	36617-000	Texas Inst. 1N4148
Capacitors		
C1-C6	35055-103	0.1, \pm 20%, 100V
C7	35100-139	.01, +80%-20%, 50V
C8	35091-102	10, +100%-10%, 16V (marked Q1 on PC Board)
Transistors		
Q2	36509-000	PNP Planar Silicon, Motorola MPS-A65
Q3, Q4	36613-000	NPN Silicon, Motorola MPS-A20 Texas Inst. TIS-98
Resistors		
R1-R7	33082-103	10K
R9, R11, R13	33082-103	10K
R8, R10, R12	33082-473	47K
R14	33082-470	47
R16	33082-102	1K
Switches		
SW1	39710-000	Slide — DPDT
SW2	39711-000	Slide — DPTT
SW3-SW7	39709-000	Push — SPST, normally open, momentary close
	35243-000	Pushbutton Cap for SW4-7
	35244-000	Pushbutton Cap for SW3 (DOZE)

REVISED REPLACEMENT PARTS

Schematic Symbol	NuTone Part No.	Description
Clock		
	36708-000	Digital Clock — National Semiconductor #MA1022LR
	32672-10	Ribbon Cable, 27 cond., 6- ¹¹ / ₁₆ " long control to clock for ISB-34/44
	32672-11	Ribbon Cable, 27 cond., 2" long control to clock for ISC-37/47
Transformer		
	42403-000	Clock circuit power transformer, Complete Assembly
	30608-000	Transformer only, 2VA Better Coil and Transformer Corp. PN-13095-PI
	39708-003	Screw #6 — 20 × ³ / ₈ , transformer to chassis
Speaker		
	36090-000	5-inch, 25 ohm voice coil
	39395-015	Screw #8 × ¹ / ₂ Speaker mounting
PROTECTION CIRCUIT (ALL MODELS)		
	42408-000	Envelope Assembly, including Protection Circuit and Master Unit Connector
	42610-000	PC Board Assembly
	37614-000	PC Board Only
	39438-000	Neon Indicator Lamp 105-125V AC/DC G.E. #C2A-ET (NE2H3T)
	35076-106	Capacitor, 0.1, ± 20%, 25V
	36549-000	Diode, Silicon Rectifier, 1 Amp, 100 PIV; Type 1N4002
	33101-103	Resistor 10K ± 10%, ¹ / ₂ W
	33101-182	Resistor 1.8K ± 10%, ¹ / ₂ W
	31128-000	Solderless Connector, wire nut type
	48718-000	Instruction Sheet — Protection Circuit
	39857-000	PC Board Guide, Adhesive backed, for mounting board to master station chassis
MISCELLANEOUS ISC-37 AND ISC-47		
	42411-000	Front Panel
	90958-039	Screw #4 × ¹ / ₄ , mounting digital clock to chassis
	10333-000	Washer, ³ / ₈ O.D. Fishpaper, for 90958-039
	40917-000	Envelope Assembly — Mounting Hardware
	38071-000	Mounting Bracket
	31526-036	Screw #6 × 1- ³ / ₄ , mounting front panel to bracket
	52820-015	Screw #8 × ³ / ₈ , mounting bracket to rough-in frame

Schematic Symbol	NuTone Part No.	Description
	48343-000	Homeowner's Manual ISC-37
	48348-000	Homeowner's Manual ISC-47
MISCELLANEOUS ISB-34 AND ISB-44		
	42405-000	Speaker/Clock Timer Housing
	38940-000	Base for Housing
	1535A-000	Foot Bumper (set of two)
	42301-000	Connector and Cable Assembly
	39708-003	Screw #6 × ³ / ₈ , base to housing
	48337-000	Homeowner's Manual ISB-34
	48341-000	Homeowner's Manual ISB-44