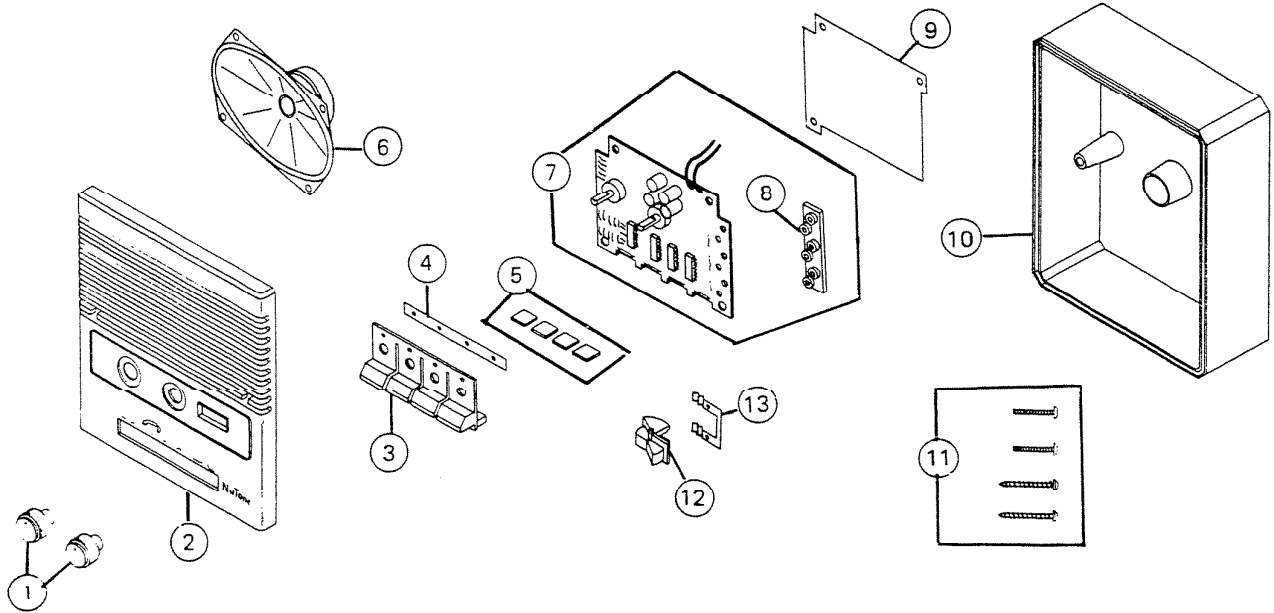


PARTS LIST

EFFECTIVE DATE	MODEL	PRODUCT GROUP
MARCH 1982	IS-89 OUTSIDE NEW	ELEC- TRONICS



REF	ORIGINAL PART NO	PART DESCRIPTION	MODEL USED ON	CURRENT REPLACEMENT PART NO.
1	35333	KNOB (1) – 2 REQUIRED	IS-89	35333-000
2	0512A	SPEAKER PANEL W/PUSHBUTTONS	IS-89	0512A-000
3	42766	PUSHBUTTON	IS-89	42766-000
4	35306	PUSHBUTTON RETAINER	IS-89	35306-000
5	0509A	MAGNET SET (4)	IS-89	0509A-000
6	36122	SPEAKER	IS-89	36122-000
7	42695	P.C. BOARD ASSEMBLY – COMPLETE	IS-89	42695-000
8	35326	SCREW RETAINER – P.C. BOARD	IS-89	35326-000
9	48941	COVER 5" P.C. BOARD	IS-89	48941-000
10	35310	SURFACE MOUNTING FRAME	IS-89	35310-000
11	42711	PARTS BAG (MOUNTING SCREWS)	IS-89	42711-000
12	0517A	ROCKER SWITCH ASSEMBLY	IS-89	0517A-000
13	35338	RETAINER – ROCKER SWITCH	IS-89	35338-000

NuTone

Housing Group

Scovill

NOTE: Always order by current part number