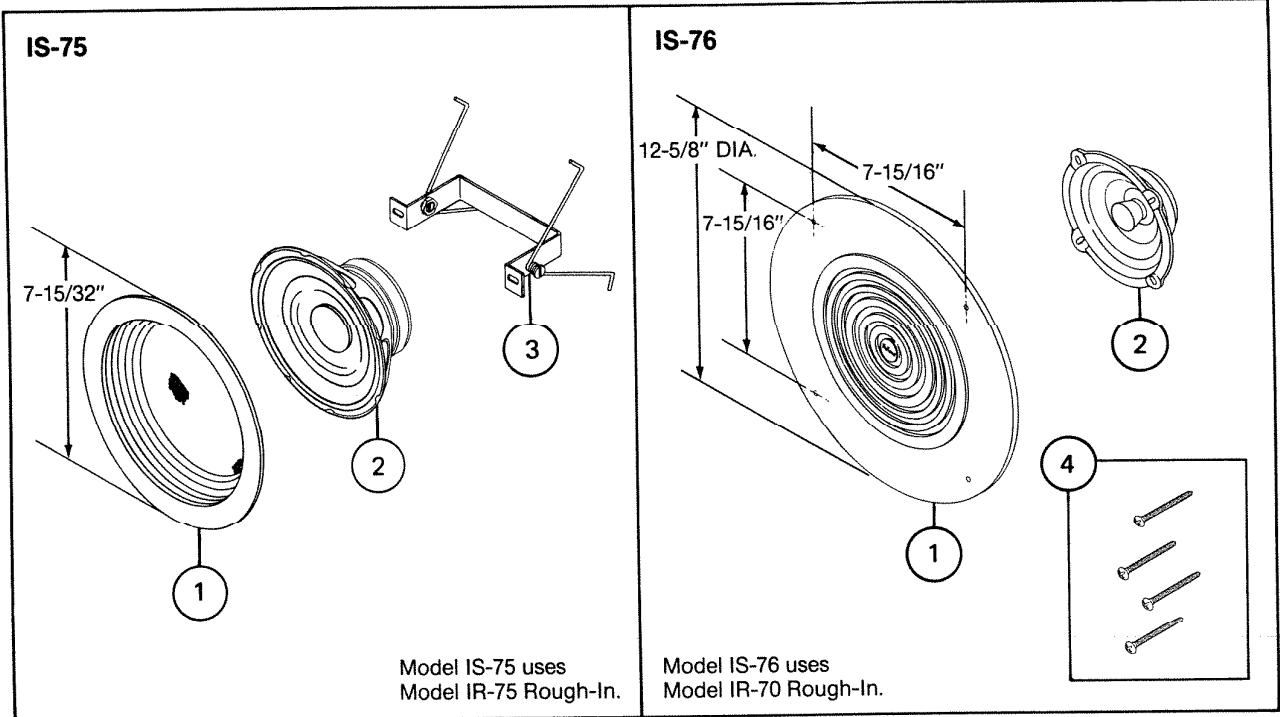


# PARTS LIST

EFFECTIVE DATE	MODEL	PRODUCT GROUP
JAN. 1991	IS-75 IS-76 NEW	ELECTRONICS



REF.	ORIGINAL PART NO.	* PART DESCRIPTION	MODEL USED ON	CURRENT REPLACEMENT PART NO.	
1	9748A	GRILLE ASSEMBLY	IS-75	9748A-000	
	1983A		IS-76	1983A-000	
2	9655A	SPEAKER - 25 OHM	5"	IS-75	9655A-000
	36142		8"	IS-76	36142-000
3	9747A	MOUNTING BRACKET AND SPRING ASSEMBLY	IS-75	9747A-000	
4	43537	ENVELOPE ASSY. - MOUNTING SCREWS (4) #8 x 2-1/4" PH. TRUSS HD. "A" - WHITE	IS-76	43537-000	

↑

NOTE: Always order by current part number.