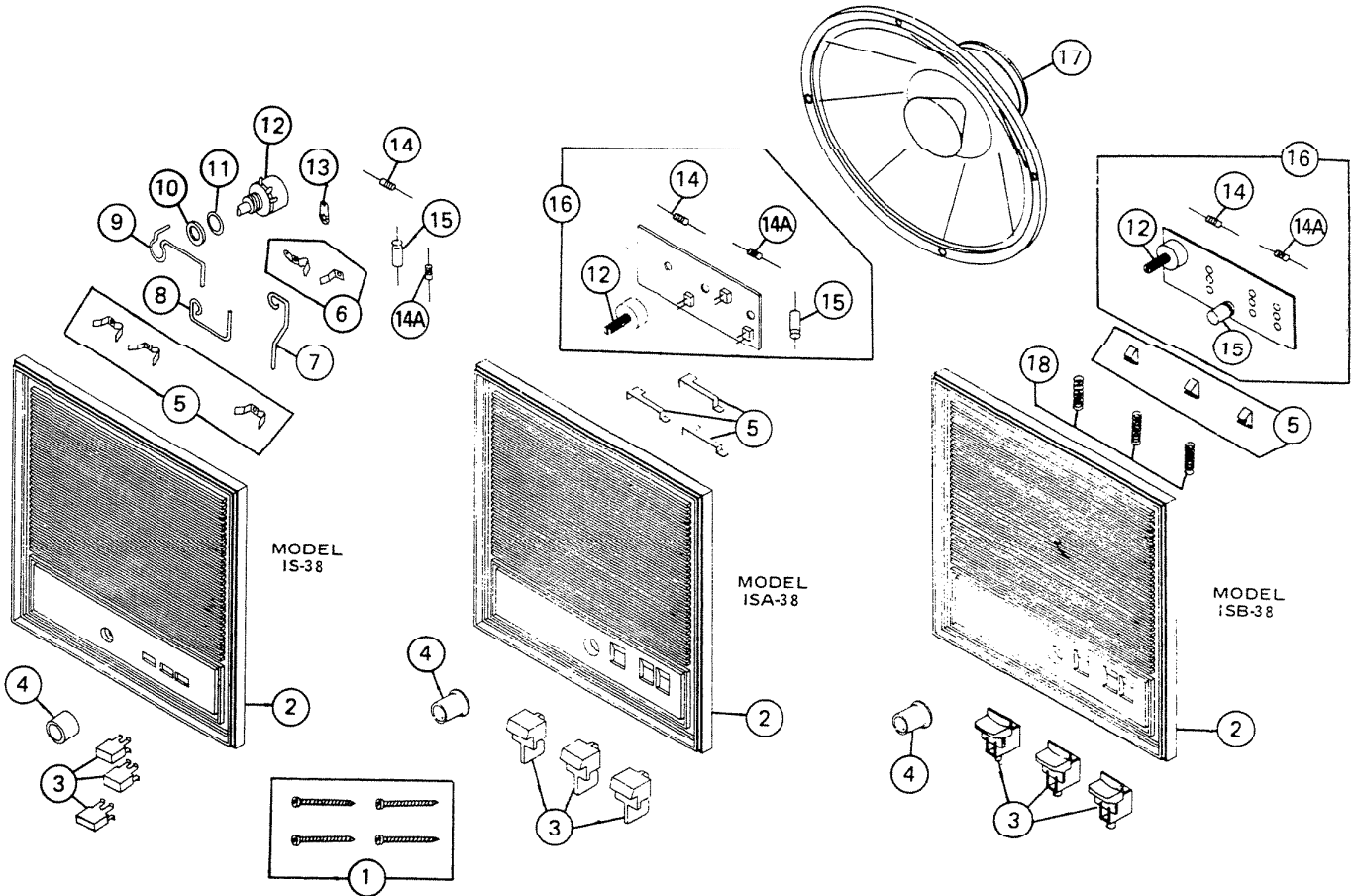


PARTS LIST

EFFECTIVE DATE	MODEL	PRODUCT GROUP
APRIL 1980	IS-38D/L, ISA-38D/L, ISB-38D/L REVISED ISB-38W - NEW	ELEC- TRONICS



REF.	ORIGINAL PART NO.	PART DESCRIPTION	MODEL USED ON	CURRENT REPLACEMENT PART NO.	
1	41622	ENVELOPE ASSEMBLY MOUNTING SCREWS	DARK	IS-38D, ISA-38D, ISB-38D	41622-000
	41623		LIGHT	IS-38L, ISA-38L, ISB-38L	41623-000
	42437		WHITE	ISB-38W	42437-000
2	38532	SPEAKER PANEL ONLY	DARK	IS-38D	38532-000
	38831			ISA-38D	38831-000
	38944			ISB-38D	38944-000
	38533		LIGHT	IS-38L	1059A-000
	38832			ISA-38L	38832-000
	38945		WHITE	ISB-38L	VOID NOT AVAILABLE
	38978			ISB-38W	38978-000

NuTone Division

(PLEASE SEE OTHER SIDE)

NOTE: Always order by current part number.
PL - IS-38 D/L - ISB-38 W

REF	ORIGINAL PART NO	* PART DESCRIPTION	MODEL USED ON	CURRENT REPLACEMENT PART NO.
3	39343	PUSHBUTTON (1) – 3 REQUIRED	IS-38D/L	1548A-000
	39660		ISA-38D/L	39660-000
	39713		ISB-38D/L ISB-38W	39713-000
4	39346	KNOB – VOLUME	IS-38D	39698-000
	39380		IS-38L	39700-000
	39557		ISA-38D/L ISB-38D/L ISB-38W	39557-000
5	39401	CONTACT	IS-38D/L	1539A-000
	39658		ISA-38D/L	1546A-000
	39715		ISB-38D/L ISB-38W	1075A-000
6	39400	CONTACT	IS-38D/L	1538A-000
7	39436	CONTACT WIRE	IS-38D/L	39436-051
8	39435	CONTACT WIRE	IS-38D/L	39435-051
9	39434	CONTACT WIRE	IS-38D/L	VOID NOT AVAILABLE
10	25056	WASHER	IS-38D/L	25056-003
11	31403	WASHER FISHPAPER	IS-38D/L	31403-000
12	34063	POTENTIOMETER	IS-38D/L	34063-000
	34059		ISA-38D/L ISB-38D/L ISB-38W	34059-000
13	39389	LUG	IS-38D/L	1547A-000
14	33101	RESISTOR	IS-38D/L	33101-102
	33082		ISA-38D/L ISB-38D/L ISB-38W	33082-102
14A	33101		IS-38D/L	33101-822
	33082		ISA-38D/L ISB-38D/L ISB-38W	33082-822
15	35068	CAPACITOR	IS-38D/L	35068-104
	35091		ISA-38D/L ISB-38D/L ISB-38D	35091-115
16	41783	P.C. BOARD	ISA-38D	1574A-000
	41783		ISA-38L	1573A-000
	42287		ISB-38D/L ISB-38W	42287-000
17	36089	SPEAKER	IS-38D/L ISA-38D/L ISB-38D/L ISB-38W	36089-000
18	39746	SPRING – RETURN	ISB-38D/L ISB-38W	39746-000