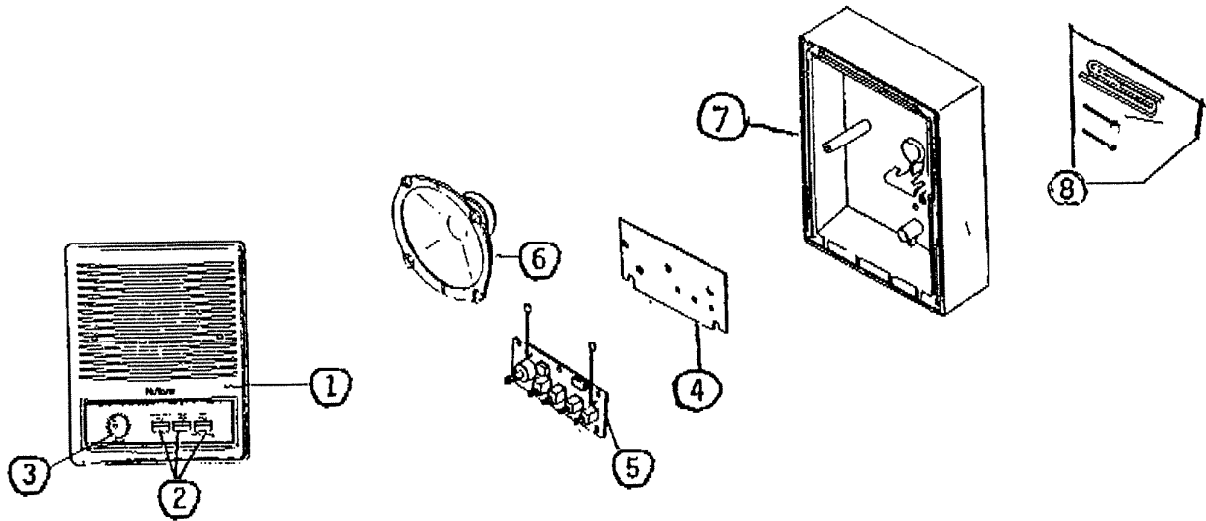


PARTS LIST

EFFECTIVE DATE	MODEL	PRODUCT GROUP
	IS-339WH Outside Speaker - 5"	ELEC-TRONICS



REF	ORIGINAL PART NO	PART DESCRIPTION	MODEL USED ON	CURRENT REPLACEMENT PART NO
1		FRONT PANEL	IS-339 WH	85096-000
2		PUSHBUTTON (1) - 3 REQUIRED	IS-339 WH	85189-000
3		VOLUME KNOB	IS-339 WH	85173-000
4		P.C. BOARD	IS-339 WH	6132A-000
5		RAIN SHIELD	IS-339 WH	35497-000
6		SPEAKER 5" 25 OHM	IS-339 WH	36108-000
7		SURFACE MOUNTING FRAME	IS-339 WH	85097 000
8		HARDWARE BAG	IS-339 WH	42961-000
9				
10				
11				
12				

NuTone

NOTE: Always use the correct part number.