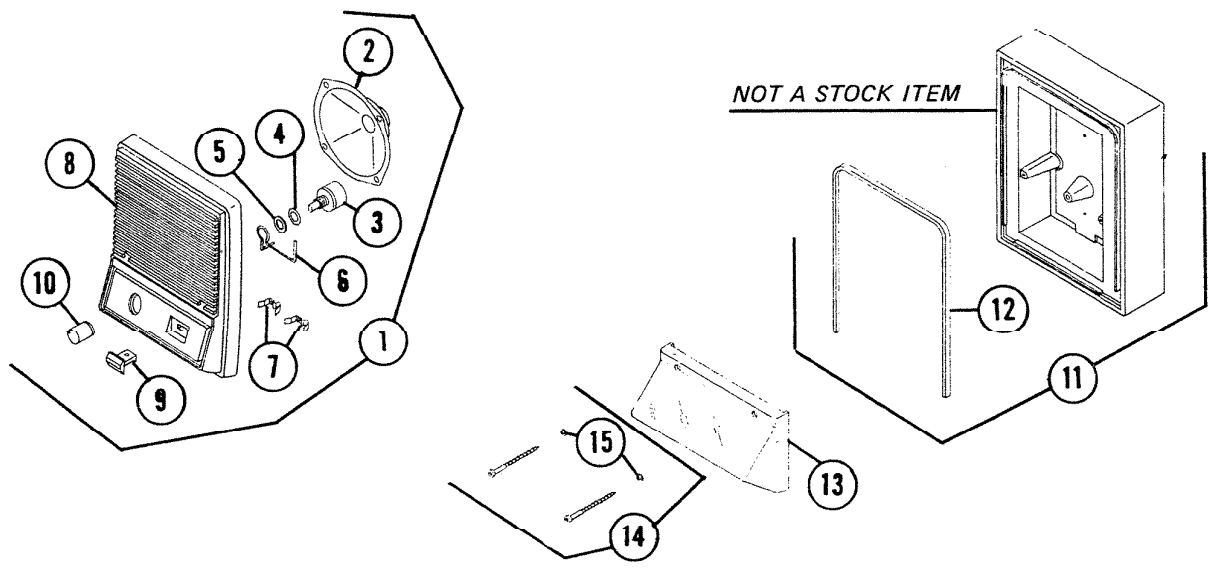


PARTS LIST

EFFECTIVE DATE	MODEL	PRODUCT GROUP
JULY 1978	IS-29 NEW	ELECTRONICS



REF.	ORIGINAL PART NO.	* PART DESCRIPTION	MODEL USED ON	CURRENT REPLACEMENT PART NO.
1	42144-000	SPEAKER PANEL ASSY.	IS-29	42144-000
2	36108-000	SPEAKER	IS-29	36108-000
3	34063-000	POTENTIOMETER	IS-29	34063-000
4	25056-000	WASHER	IS-29	25056-003
5	31403-000	WASHER	IS-29	31403-000
6	39439-000	CONTACT WIRE	IS-29	39439-051
7	1537A-000	CONTACT SET	IS-29	1537A-000
8	38526-000	SPEAKER PANEL ONLY	IS-29	38526-000
9	39342-000	PUSHBUTTON	IS-29	39342-000
10	39581-000	KNOB	IS-29	39581-000
11	42145-000	FRAME ASSY.	IS-29	42145-000
12	39670-000	GASKET	IS-29	39670-000
13	38864-000	SHIELD	IS-29	38864-000
14	42129-000	HARDWARE BAGS ASSY.	IS-29	42129-000
15	1522A-000	"O" RING SET	IS-29	1522A-000

NuTone Division

↑
NOTE: Always order by current part number.