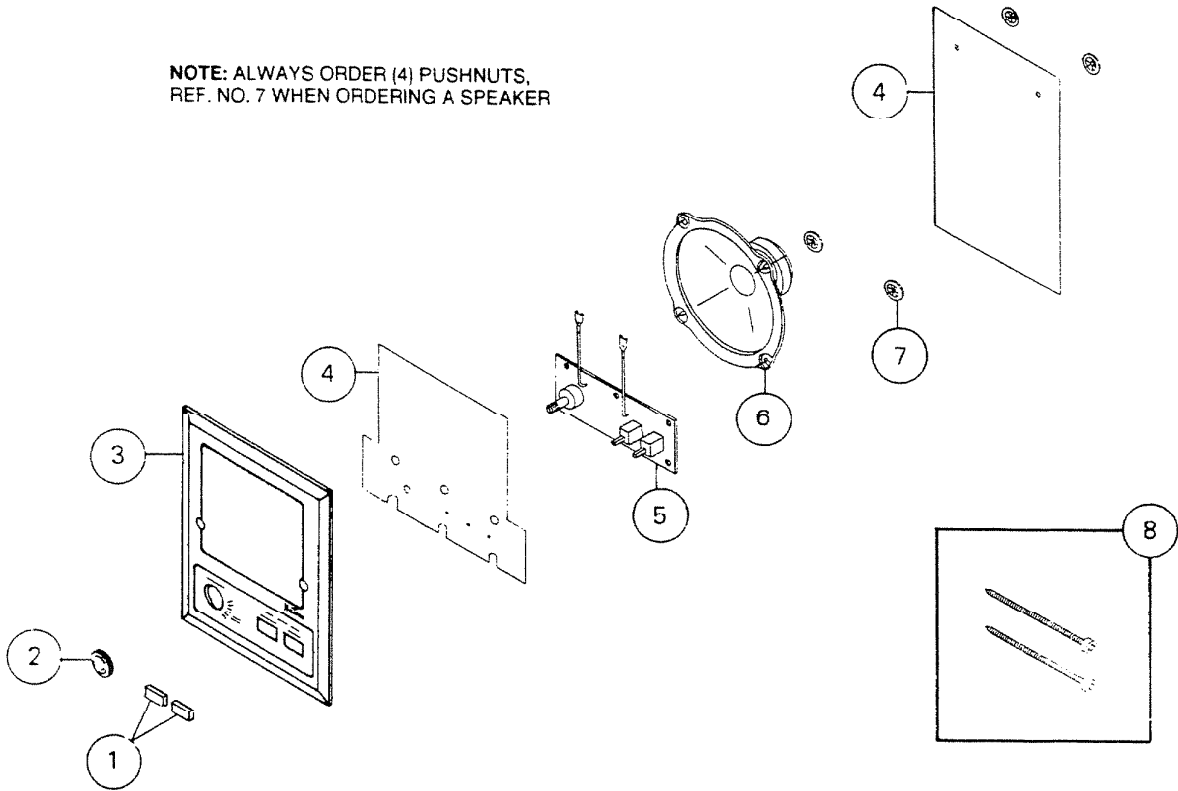


# PARTS LIST

EFFECTIVE DATE	MODEL	PRODUCT GROUP
APR. 1991	IS-219 AB, PB, WH NEW	ELECTRONICS

NOTE: ALWAYS ORDER (4) PUSHNUTS, REF. NO. 7 WHEN ORDERING A SPEAKER



REF.	ORIGINAL PART NO.	*PART DESCRIPTION	MODEL USED ON	CURRENT REPLACEMENT PART NO.
1	43727	KNOB—Switch (1)—2 Required	IS-219AB IS-219PB	43727-000
	35473		IS-219WH	35473-000
2	2710A	KNOB—Volume Control—W/Compression Ring	IS-219AB IS-219PB	2710A-000
	2709A		IS-219WH	2709A-000
3	2685A	SPEAKER PANEL	Antique Brass IS-219AB	2685A-000
	2686A		Polished Brass IS-219PB	2686A-000
	2687A		White IS-219WH	2687A-000
4	2715A	RAIN SHIELD SET—For P.C. Board & Speaker	All Models	2715A-000
5	42928	P.C. BOARD ASSEMBLY		42928-000
6	36108	SPEAKER—Requires (4) Pushnuts Ref. No. 7		36108-000

**NuTone**

NOTE: Always order by current part number.

REF.	ORIGINAL PART NO.	*PART DESCRIPTION	MODEL USED ON	CURRENT REPLACEMENT PART NO.
7	39044	PUSHNUT (1)—4 Required	All Models	39044-000
8	43728	HARDWARE BAG ASSY. — (2) #8 x 2½ PH. FIL. HD. "A"	IS-219AB	43728-000
	43729		IS-219PB	43729-000
	43730		IS-219WH	43730-000

↑

NOTE: Always order by current part number.