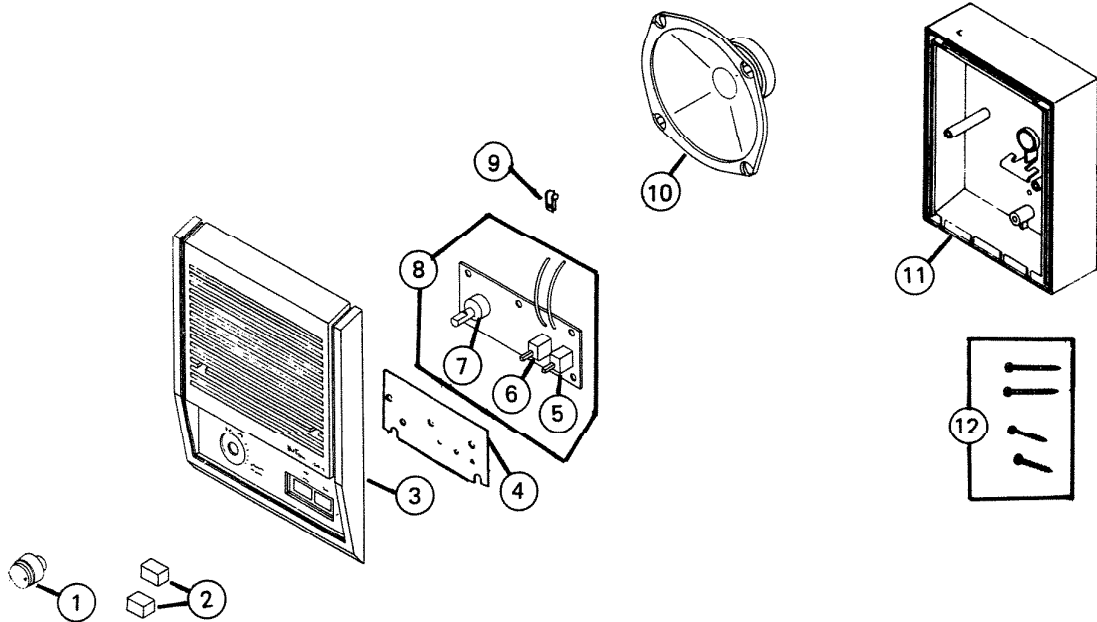


PARTS LIST

EFFECTIVE DATE	MODEL	PRODUCT GROUP
MARCH 1984	IS-209 IS-209WH NEW	ELECTRONICS



REF.	ORIGINAL PART NO.	* PART DESCRIPTION	MODEL USED ON	CURRENT REPLACEMENT PART NO.
1	35478	KNOB - VOLUME	IS-209 IS-209WH	35478-000 44360-000
2	35474	KNOB - SWITCH	IS-209 IS-209WH	35474-000 35473-000
3	35493	SPEAKER PANEL	IS-209	35493-000
4	35497	RAIN SHIELD	IS-209 IS-209WH	35497-000
5	34697	SWITCH - LATCHING	IS-209 IS-209WH	34697-000
6	34698	SWITCH - MOMENTARY	IS-209 IS-209WH	34698-000
7	34059	VOLUME CONTROL	IS-209 IS-209WH	34059-000
8	42928	P.C. BOARD ASSEMBLY	IS-209 IS-209WH	42928-000 6131A-000
9	31967	CABLE CLAMP	IS-209	31967-000
10	36108	SPEAKER 5"	IS-209 IS-209WH	36108-000
11	35496	SURFACE MOUNT FRAME	IS-209 IS-209WH	35496-000 44361-000
12	42961	ENVELOPE ASSEMBLY (MTG. HDWE.)	IS-209	42961-000
		GASKET	IS-209WH	35491-000

NuTone

Housing Group **Scovill**

PRINTED IN U.S.A.

NOTE: Always order by current part number.