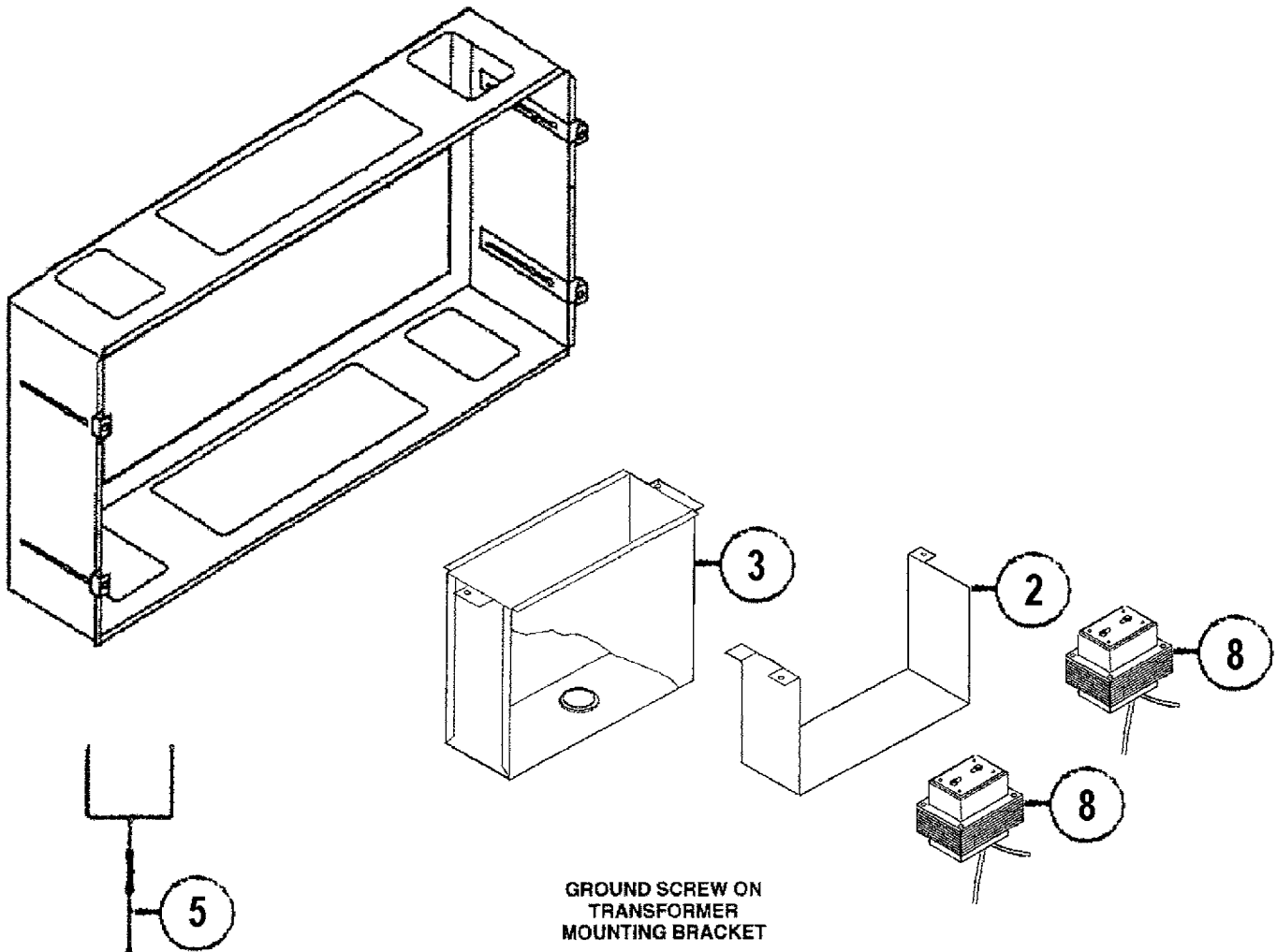


PARTS LIST

EFFECTIVE DATE	MODEL	PRODUCT GROUP
1996	IR-105	ELECTRONICS



ITEM	PART NO.	DESCRIPTION	QTY.
1	86359	LABEL-MODEL	1
2	86357	BRACKET-TRANSFORMER	1
3	86358	HOUSING-TRANSFORMER	1
4	L3236	GROUND SCREW	1
5	43012	F.M. ANTENNA ASSEMBLY COMPLETE	1
6	43270	HARDWARE BAG ASSEMBLY	1
8		TRANSFORMER (MODEL 801T)	2