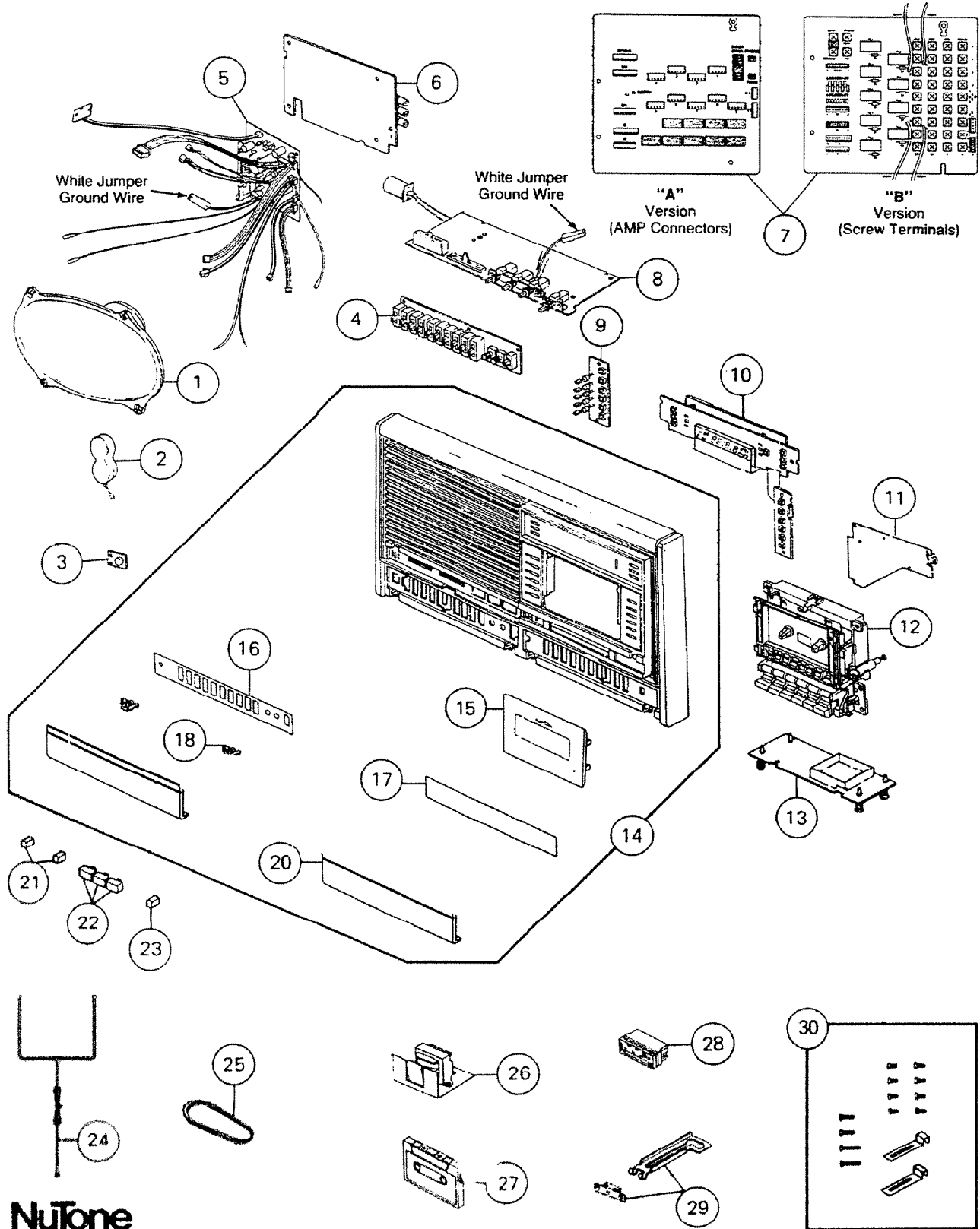


PARTS LIST

EFFECTIVE DATE	MODEL	PRODUCT GROUP
APRIL 1991	IMA-4006 IM-4006 IM-4006WH REVISED	ELECTRONICS



NuTone

REF.	ORIGINAL PART NO.	*PART DESCRIPTION	CURRENT REPLACEMENT PART NO.	
1	8540A	SPEAKER	8540A-000	
2	8568A	BATTERY	8568A-000	
3	8529A	MICROPHONE P.C. BOARD	8529A-000	
4	8533A	SWITCH P.C. BOARD	8533A-REB	
5	8551A	POWER AMP./POWER SUPPLY BD. See Notes 1 & 2	"A" Version w/White Jumper Ground Wire-Not Shown	2720A-REB
	2720A		"B" Version w/White Jumper Ground Wire- Shown	
	2718A		"C" Version wo/White Jumper Ground Wire-Not Shown	2718A-REB
6	8536A	CONTROL P.C. BOARD	8536A-REB	
7	8531A	TERMINAL P.C. BOARD	"A" Version With AMP Connectors	8531A-REB
	9658A		"B" Version With Screw Terminals	9658A-REB
8	8549A	SW./PWR. LED/INTER. W/TRANS. See Note 2	"A" Version w/White Jumper Ground Wire- Shown	8549A-REB
	9818A		"B" Version wo/White Jumper Ground Wire-Not Shown	9818A-REB
9	8527A	MODE SELECTOR P.C. BOARD	8527A-000	
10	8550A	CLOCK DISPLAY MEMORY BOARD	8550A-REB	
11	8526A	CASSETTE P.C. BOARD	8526A-REB	
12	8554A	CASSETTE PLAYER	8554A-REB	
13	8535A	TUNER P.C. BOARD	8535A-REB	
14	8539A	FRONT PANEL ASSEMBLY—COMPLFTE	Walnut	8539A-000
	9105A		White	9105A-000
15	8429A	CASSETTE DOOR ASSEMBLY	8429A-000	
16	8499A	INLAY—L.H.	8499A-000	
17	8434A	BLANK COVER	IM-4006	8434A-000
	9110A		IM-4006WH	9110A-000
18	8478A	HINGE—SET OF (2)	IM-4006	2678A-000
	9109A		IM-4006WH	
19	8421A	L.H. DOOR	Walnut	8421A-000
	9107A		White	9107A-000
20	8422A	R.H. DOOR	Walnut	8422A-000
	9108A		White	9108A-000

▲

NOTE: Always order by current part number.

REF.	ORIGINAL PART NO.	*PART DESCRIPTION	CURRENT REPLACEMENT PART NO.
21	8430A	KNOB—Tone/Master Volume (1) 2-Required	8430A-000
22	8431A	KNOB—Intercom (1) 3-Required	8431A-000
23	8433A	KNOB Radio Power On/Off	8433A-000
24	43012	ANTENNA—Packed with Model IR-103	43012-000
25	0571A	CASSETTE BELT KIT	0571A-000
26	8435A	DISPLAY POWER TRANSFORMER	8435A-000
27	8604A	CASSETTE TAPE—Blank	8604A-000
28	39965	AMP RECEPTACLE—For "A" Version Terminal P.C. Board	39965-000
29	8553A	HINGE ASSEMBLY (1) 2-Required	8553A-000
30	8538A	HARDWARE SET—Mounting	8538A-000
*	8500A	INLAY-R.H.—Not Shown-Part of Model IA-410	8500A-000

▲

NOTE: Always order by current part number.

¹NOTE: POWER AMP./POWER SUPPLY P.C. BOARD — IM-4006

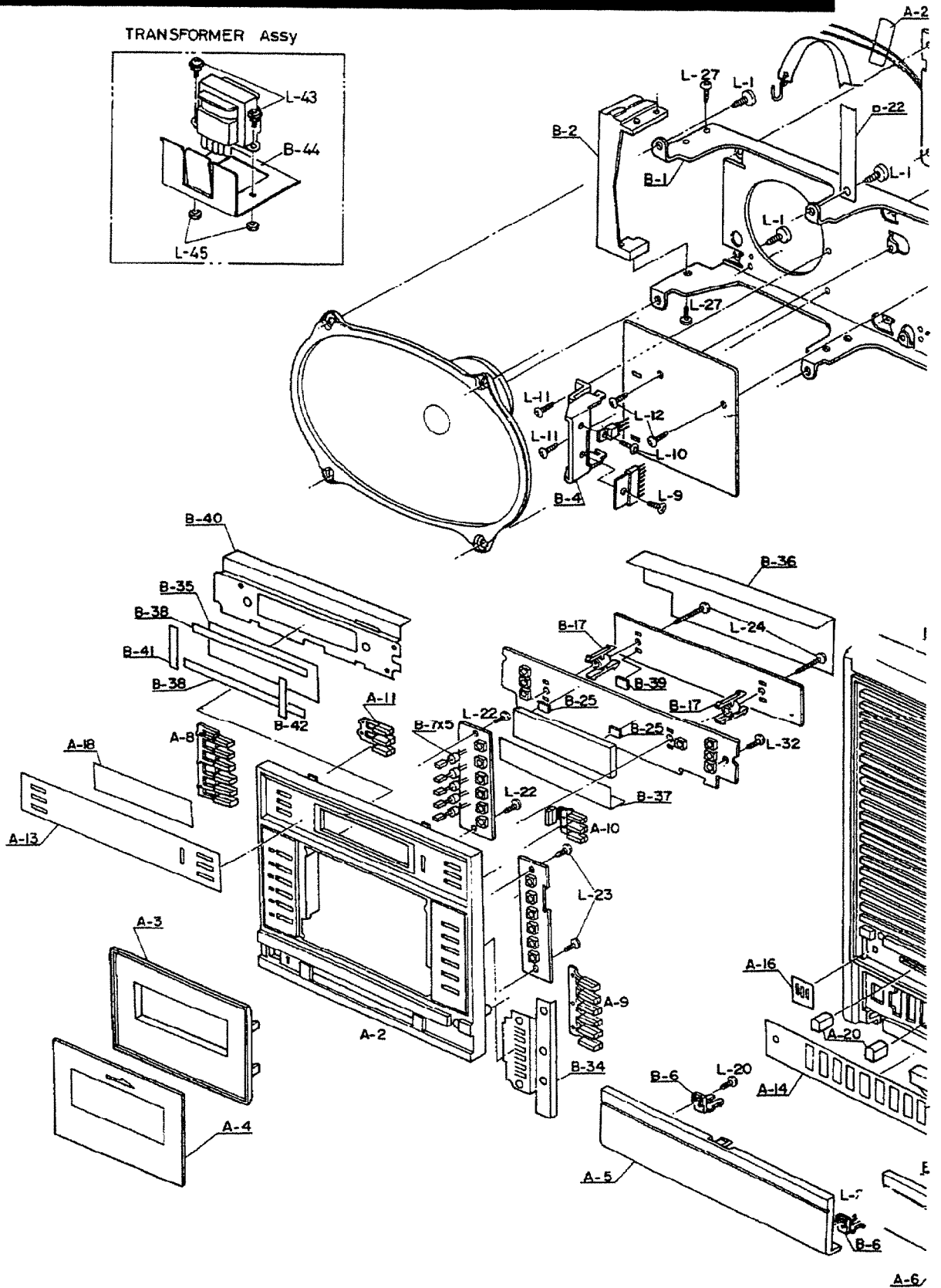
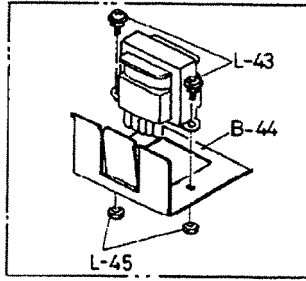
When replacing the original Version (A) #1613774-A P.C. board assy. Part No. 8551A-REB with Version (B) #1613774-1 A, Part No. 2720A-REB. You must do the following:

- (1) Remove the male connector from the white jumper ground wire and the male connector from the SW./PWR. LED/INTERCOM W/TRANS. Part No. 8549A-REB and connect the two wires together.
- (2) Connect the "H" plug (white) to the two pin connector at the "H" location on the CONTROL P.C. BOARD Part No. 8536A-REB. This is a tight fit and be sure to observe polarity.
- (3) The gray wire marked S.W. on the POWER AMP./POWER SUPPLY P.C. BOARD Part No. 2720A-REB plugs on to the pin connector on the SWITCHBOARD Part No. 8533A-REB. Be sure to clean off any solder or residue remaining on this pin connector. The orange wire from the original (A) board has no connector and was soldered to this pin.
- (4) Please note Version "C", POWER AMP./POWER SUPPLY P.C. BOARD part No. 2718A-REB, has no white jumper ground wire which must be added and soldered at the MST-GND location to replace Versions "A" or "B". When replacing Version "A" with Version "C" be sure to follow steps (2) and (3).

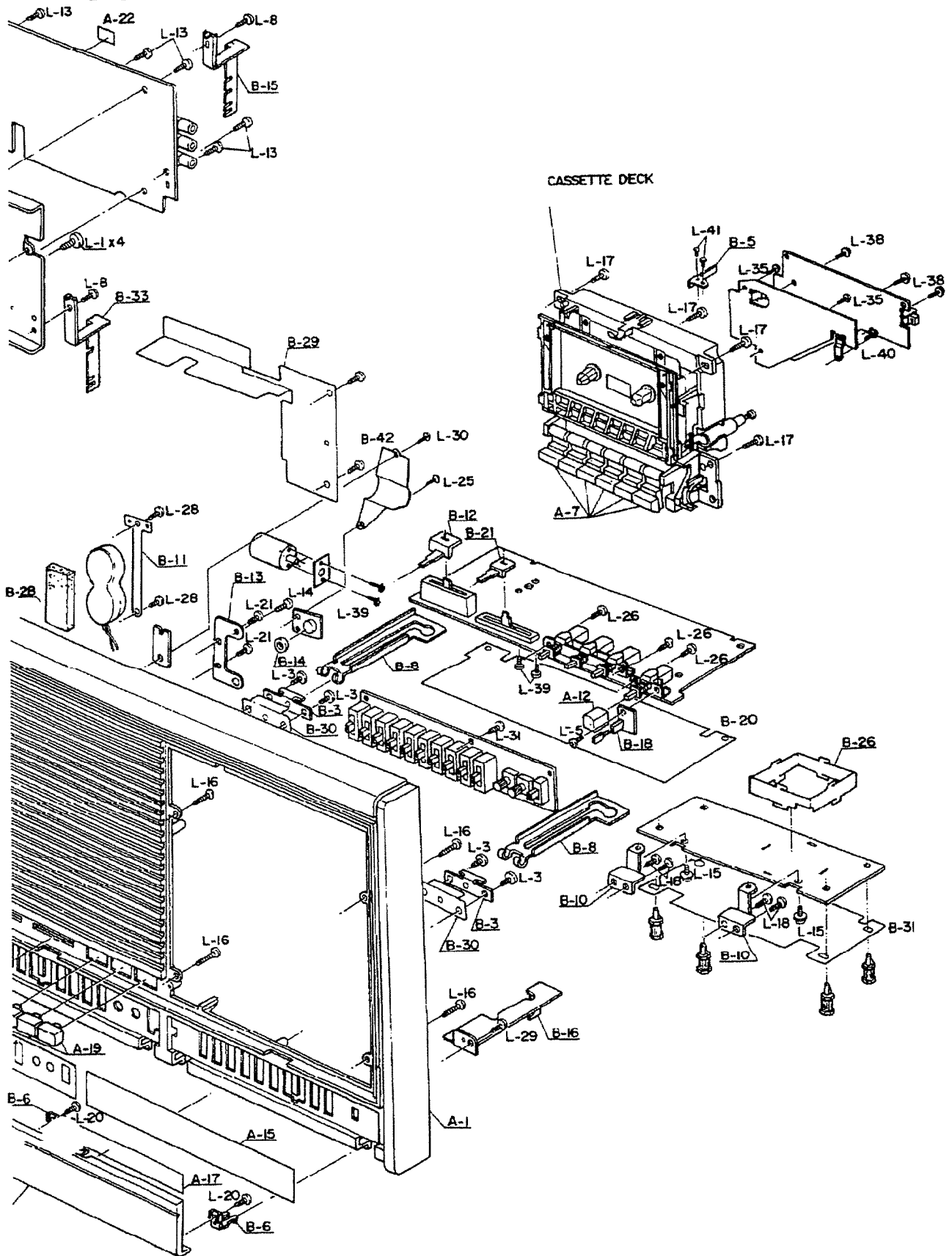
²NOTE: Early Production Model - IM-4006 series used the "A" Version TERMINAL P.C. BOARD Part No. 8531A-REB Ref. No. 1, which has the (6) pin AMP. connectors for speaker wiring. This early production also used the "B" Version POWER AMP./POWER SUPPLY BOARD Part No. 2720A-REB Ref. No. 5 and the "A" Version SW./POWER LED/INTERCOM W/TRANS. Part No. 8549A-REB Ref. No. 8.

EXPLODED VIEW

TRANSFORMER Assy



EXPLODED VIEW



REPLACEMENT PARTS

Capacitors: Value in Micro (10^{-6}) Farads, Other Specifications As Noted.

Resistors: Value In Ohms \pm 5%, $\frac{1}{8}$ Watt, Other Specifications as Noted.
 K = Kilos = 1,000 M = Mega = 1,000,000

Model IM-4006 Radio-Intercom Master Unit

Schematic Symbol	NoTone Part No.	Description
CASSETTE P.C. BOARD ASSEMBLY		
	8526A-000	Cassette P.C. Board Assembly
SW1	8612A-000	Slide Switch
T1	8613A-000	Recorder Bias Coil
L1	8614A-000	Inductor 33MH
VR1	8615A-000	Semi-Fixed Resistor 10K
VR2	8616A-000	Semi-Fixed Resistor 100K
CN-Q	7529A-000	Connector Header 6P
CN-12	8652A-000	Connector Header 5P
CN-13	7317A-000	Connector Header 4P
CN-14	7099A-000	Connector Header 3P
CN-15	7280A-000	Connector Header 2P
IC-1	8617A-000	Integrated Circuit—BA5101
IC-2	8618A-000	Integrated Circuit—AN78L06
Q1	8619A-000	Transistor—2SC1383R
Q2	8620A-000	Transistor—2SC1846S
D1	8621A-000	Diode
ZD1	8622A-000	Diode-Zener—UZ13BH
Resistors		
R1	8623A-000	Carbon $\frac{1}{8}$ W 180 Ω
R2, R4	7697A-000	Carbon $\frac{1}{8}$ W 22K
R3	8624A-000	Carbon $\frac{1}{8}$ W 4.7 Ω
R5	7717A-000	Carbon $\frac{1}{8}$ W 1.2K
R6	7712A-000	Carbon $\frac{1}{8}$ W 100K
R7	7716A-000	Carbon $\frac{1}{8}$ W 33K
R8, R16, R17	7724A-000	Carbon $\frac{1}{8}$ W 4.7K
R9, R19, R21	7701A-000	Carbon $\frac{1}{8}$ W 10K
R10	7704A-000	Carbon $\frac{1}{8}$ W 12K
R11	8625A-000	Carbon $\frac{1}{8}$ W 120K
R12	7796A-000	Carbon $\frac{1}{8}$ W 180 Ω
R13	7798A-000	Carbon $\frac{1}{8}$ W 680 Ω
R14	7714A-000	Carbon $\frac{1}{8}$ W 5.6K
R15	7705A-000	Carbon $\frac{1}{8}$ W 470 Ω
R18	7693A-000	Carbon $\frac{1}{8}$ W 1.5K
R20	8626A-000	Carbon $\frac{1}{8}$ W 3.3Meg.
R22	7181A-000	Carbon $\frac{1}{8}$ W 100 Ω
Capacitors		
C1	8627A-000	Mylar (J) .0033uf 100V
C2	7138A-000	Electrolytic 47uf 16V
C3, C4	7779A-000	Mylar 0.01uf (J)

Schematic Symbol	NoTone Part No.	Description
C5	8628A-000	Ceramic 270pf (J)
C6	7767A-000	Mylar (J) .0015uf 50V
C7, C9	7154A-000	Electrolytic 4.7uf 50V
C8, C11, C17, C20	7136A-000	Electrolytic 10uf 10V
C10, C19	7141A-000	Electrolytic 47uf 10V
C12, C13, C15	7125A-000	Electrolytic 1uf 50V
C14, C26	7770A-000	Ceramic SL 100pf (J)
C16	8629A-000	Mylar (J) .012uf 50V
C18, C27	7133A-000	Ceramic (B) .001uf (K)
C21	8630A-000	Ceramic SL 47pf (J)
C22	7141A-000	Electrolytic 47uf 10V
C23	7145A-000	Electrolytic 220uf 16V
C24	7760A-000	Electrolytic 10uf 16V
C25	8631A-000	Mylar (J) 820pf 50V
C28	8632A-000	Ceramic SL 470pf (J)
POWER AMPLIFIER AND POWER SUPPLY BOARD ASSEMBLY		
	8551A-000	Power Amplifier and Power Supply Board Assembly
	8522A-000	Power Supply Board Assembly
CN-W	8633A-000	Connector-Header 2P
IC1	7015A-000	Integrated Circuit—BA532
Q1	8634A-000	Transistor—2SD1266AP
Q2	8635A-000	Transistor—2SA564R
Diodes		
D1, D3	8636A-000	Silicon Rectifier
D2	8637A-000	Zener—UZ-15BM
D4	8638A-000	Zener—UZ-5.1B
D5, D6	8639A-000	Diode
D8	8640A-000	Zener—UZ-7.5BM
Resistors		
R1	8641A-000	Metal Oxide 3W 2.2 Ω (J)
R2	7180A-000	Metal Oxide 1W 220 Ω
R3	8642A-000	Carbon $\frac{1}{8}$ W 10K (J)
R4	7721A-000	Carbon $\frac{1}{8}$ W 1.8K (J)
R5	7787A-000	Carbon $\frac{1}{8}$ W 150K (J)
R6	7709A-000	Carbon $\frac{1}{8}$ W 82 Ω (J)
R7	7690A-000	Carbon $\frac{1}{8}$ W 330 Ω (J)

REPLACEMENT PARTS

Schematic Symbol	NuTone Part No.	Description
Capacitors		
C1 thru C4, C7, C10 thru C13	7108A-000	Ceramic (ZF) .022uf (Z)
C5	8643A-000	Electrolytic 330uf 25V
C6	7383A-000	Electrolytic 470uf 15V
C8	7143A-000	Electrolytic 1000uf 16V
C9	8644A-000	Ceramic (ZF) .1uf (Z)
C14	8645A-000	Electrolytic 220uf 35V
C16	7146A-000	Electrolytic 1000uf 10V
C17	8646A-000	Electrolytic .22uf 50V
C18	7135A-000	Ceramic .01uf (Z)
C19, C21	7141A-000	Electrolytic 47uf 10V
C20	8647A-000	Ceramic (B) .001uf (K)
C22	8630A-000	Ceramic SL 47pf (J)
C23	7125A-000	Electrolytic 1uf 50V
C24	7126A-000	Electrolytic 100uf 10V
POWER SUPPLY BOARD ASSEMBLY		
	8530A-000	Power Supply Board Assembly
BATT.	8648A-000	Connector-Header EH 2P
SWITCH P.C. BOARD ASSEMBLY		
	8533A-000	Switch P.C. Board Assembly
S1 thru S10	8649A-000	Slide Switch
S11	8650A-000	Slide Switch
VR1, VR2	8651A-000	Volume Control-Rotary 20K (A)
CN-E1	7099A-000	Connector-Header 3P
CN-E3	7280A-000	Connector-Header 2P
CN-L	8653A-000	Pin-1.3mm Diameter
R1 thru R10	8654A-000	Resistor-Carbon 1/4W 12Ω (J)
CONTROL P.C. BOARD ASSEMBLY		
	8536A-000	Control P.C. Board Assembly
J1 thru J3	7076A-000	RCA Pin Jack
RL1, RL2, RL4	7264A-000	Relay
RL6, RL7	8655A-000	Relay
CN-E2	7280A-000	Connector-Header 2P
CN-K	7317A-000	Connector-Header 4P
CN-L	8652A-000	Connector-Header 5P
CN-C	7282A-000	Connector-Header 9P
CN-R	8656A-000	Connector-Header (XH) 2P
CN-G	8657A-000	Connector-Header (XH) 3P
CN-F	8658A-000	Connector-Header (XH) 4P
CN-H	8659A-000	Connector-Header (EH) 2P

Schematic Symbol	NuTone Part No.	Description
CN-N	8660A-000	Connector-Header (EH) 3P
CN-I	8661A-000	Connector Base (AMP) 4P
IC-1	8662A-000	Integrated Circuit—NJM555
IC-2	8663A-000	Integrated Circuit—TC4069BP
IC-3, IC-6 thru IC-8	8664A-000	Integrated Circuit—TC4081BP
IC-4, IC-5	8665A-000	Integrated Circuit—TC4011BP
IC-9	8666A-000	Integrated Circuit—TA75902
IC-10	8667A-000	Diode Alley—DAN601
IC-11	8668A-000	Diode Alley—DAN401
IC-12	8669A-000	Integrated Circuit (Voltage Regulator)—AN7815
Q1	8634A-000	Transistor—2SD1266AP
Q2, Q9 thru Q18	8670A-000	Transistor—2SA937R
Q3 thru Q5, Q8	8671A-000	Transistor—2SC945R
Q6	8672A-000	Transistor—2SA733R
Q7	8673A-000	Transistor—2SC1383Q
Q19, Q20	8674A-000	Transistor—2SC2021R
Q21	8675A-000	Transistor—2SC1844F
D1	8676A-000	Diode-Zener—UZ-12BM
D4 thru D6, D9, D14, D87	8677A-000	Diode
D10 thru D13, D86, D88	8678A-000	Diode—IN4002
D15 thru D17, D19, D28 thru D72	8677A-000	Diode
D73 thru D85	8679A-000	Diode
Resistors		
R1	7798A-000	Carbon 1/4W (J) 680Ω
R2, R6	8680A-000	Carbon 1/4W (J) 620Ω
R3	7721A-000	Carbon 1/4W (J) 1.8K
R4	7713A-000	Carbon 1/4W (J) 2.7K
R5	8681A-000	Carbon 1/4W (J) 1.6K
R7, R18, R26, R27	7720A-000	Carbon 1/4W (J) 47K
R8, R23	7695A-000	Carbon 1/4W (J) 27K
R9, R10, R45 thru R53	7783A-000	Carbon 1/4W (J) 220K
R11, R13, R14, R32	7688A-000	Carbon 1/4W (J) 1Meg.
R12	8682A-000	Carbon 1/4W (J) 680K
R15, R19, R35, R74, R75	7712A-000	Carbon 1/4W (J) 100K
R16, R36 thru R44	7725A-000	Carbon 1/4W (J) 560K

REPLACEMENT PARTS

Schematic Symbol	NuTone Part No.	Description
R20 thru R22	8683A-000	Carbon 1/4W (J) 47K
R24, R25	7716A-000	Carbon 1/4W (J) 33K
R28	7701A-000	Carbon 1/4W (J) 10K
R29	7728A-000	Carbon 1/4W (J) 220Ω
R30	7694A-000	Carbon 1/4W (J) 2.2K
R31	7706A-000	Carbon 1/4W (J) 100Ω
R33	7707A-000	Carbon 1/4W (J) 330K
R34	7714A-000	Carbon 1/4W (J) 5.6K
R54, R56, R58, R60, R62, R64, R66, R68, R70, R72	8684A-000	Carbon 1/4W (J) 8.2K
R55, R57, R59, R61, R63, R65, R67, R69, R71, R73	8625A-000	Carbon 1/4W (J) 120K
R76	7690A-000	Carbon 1/4W (J) 330Ω
R77	7729A-000	Carbon 1/4W (J) 15Ω
Capacitors		
C1, C3, C13 thru C20	7108A-000	Ceramic (Z) 0.022uf (Z)
C2, C7 thru C10	8685A-000	Electrolytic 1uf 50V
C5	8686A-000	Electrolytic 0.1uf 50V
C6, C27	8687A-000	Electrolytic 0.1uf 50V
C11	8688A-000	Electrolytic 22uf 16V
C21	8689A-000	Electrolytic 1uf 50V
C22, C24, C29, C30	8690A-000	Semi-Conductive 0.033uf (K)
C23, C25	7133A-000	Ceramic (B) 0.001uf (K)
C26	8691A-000	Electrolytic 220uf 16V
C28	7143A-000	Electrolytic 1000uf 16V
MASTER SWITCH, LED, AND INPUT XFMR BOARD ASSEMBLY		
	8549A-000	Master Switch, LED, and Input XFMR Board Assembly
	8523A-000	Master Switch Board Assembly
S1 thru S3	8692A-000	Push Switch
S4	8693A-000	Push Switch
RL1	8655A-000	Relay 2 Pole
RL2	7264A-000	Relay 1 Pole
VR1	8694A-000	Slide Switch-Volume 200Ω (C)
VR2	8695A-000	Slide Switch-Volume 50K (B) 25K (HB)
CN-V, CN-O	8633A-000	Connector-Header 2P
CN-P	8696A-000	Connector-Header 9P
CN-S	8697A-000	Connector-Header 10P
CN-U	8698A-000	Connector-Header (Side) 3P
IC1	8699A-000	Integrated Circuit—TC9152P

Schematic Symbol	NuTone Part No.	Description
IC2	8700A-000	Integrated Circuit—TC4001BP
IC3	8701A-000	Integrated Circuit—TC4013BP
IC4, IC5	8702A-000	Integrated Circuit—TC4066BP
IC6	8703A-000	IC-Voltage Regulator—AN78M12
Q1, Q3	7037A-000	Transistor—2SC945P
Q2, Q10, Q14	7267A-000	Transistor—2SC1844E
Q4, Q12	7748A-000	Transistor—2SA733P
Q5 thru Q8, Q11, Q13, Q15 thru Q22	7073A-000	Transistor—2SC945P
D1 thru D3, D6, D10 thru D34, D39	8639A-000	Diode
D4, D5	8678A-000	Diode—1N4002
Resistors		
R1, R2, R3	7701A-000	Carbon 1/4W (J) 10K
R4	7702A-000	Carbon 1/4W (J) 1K
R5	7690A-000	Carbon 1/4W (J) 330Ω
R6, R7	7782A-000	Carbon 1/4W (J) 470K
R8	7725A-000	Carbon 1/4W (J) 560K
R9	7716A-000	Carbon 1/4W (J) 33K
R10, R11, R12	7698A-000	Carbon 1/4W (J) 22Ω
R13	7782A-000	Carbon 1/4W (J) 470K
R14	7701A-000	Carbon 1/4W (J) 10K
R15, R16, R17	7712A-000	Carbon 1/4W (J) 100K
R18	7782A-000	Carbon 1/4W (J) 470K
R19	7720A-000	Carbon 1/4W (J) 47K
R20	7782A-000	Carbon 1/4W (J) 470K
R21	7787A-000	Carbon 1/4W (J) 150K
R22, R23	7701A-000	Carbon 1/4W (J) 10K
R24	7701A-000	Carbon 1/4W (J) 10K
R25	7720A-000	Carbon 1/4W (J) 47K
R26	7782A-000	Carbon 1/4W (J) 470K
R27	7712A-000	Carbon 1/4W (J) 100K
R28	7694A-000	Carbon 1/4W (J) 2.2K
R29, R30	7716A-000	Carbon 1/4W (J) 33K
R33	7714A-000	Carbon 1/4W (J) 5.6K
R35	7707A-000	Carbon 1/4W (J) 330K
R36	7694A-000	Carbon 1/4W (J) 2.2K
R37	7725A-000	Carbon 1/4W (J) 560K
R38	7724A-000	Carbon 1/4W (J) 4.7K
R39	7702A-000	Carbon 1/4W (J) 1K
R40	7690A-000	Carbon 1/4W (J) 330Ω
R41	8704A-000	Carbon 1/4W (J) 270K
R42	7702A-000	Carbon 1/4W (J) 1K
R43	7782A-000	Carbon 1/4W (J) 470K
R44	7701A-000	Carbon 1/4W (J) 10K
R45	7688A-000	Carbon 1/4W (J) 1Meg.
R46	8705A-000	Carbon 1/4W (J) 3.3K
R47	8706A-000	Carbon 1/4W (J) 150Ω
R48	7693A-000	Carbon 1/4W (J) 1.5K
R49	7782A-000	Carbon 1/4W (J) 470K
R50	7697A-000	Carbon 1/4W (J) 22K
R51	7716A-000	Carbon 1/4W (J) 33K

REPLACEMENT PARTS

Schematic Symbol	NuTone Part No.	Description
R52	7724A-000	Carbon 1/8W (J) 4.7K
R53	8707A-000	Carbon 1/8W (J) 6.8K
R54	8708A-000	Carbon 1/8W (J) 560Ω
R55	8709A-000	Carbon 1/8W (J) 3.9K
R56	8710A-000	Carbon 1/8W (J) 1Ω
R57	7714A-000	Carbon 1/8W (J) 5.6K
R58	7701A-000	Carbon 1/8W (J) 10K
R59	7724A-000	Carbon 1/8W (J) 4.7K
R60	8709A-000	Carbon 1/8W (J) 3.9K
R61	7694A-000	Carbon 1/8W (J) 2.2K
R62	7701A-000	Carbon 1/8W (J) 10K
R63	7698A-000	Carbon 1/8W (J) 22Ω
R64	7720A-000	Carbon 1/8W (J) 47K
R65, R66		
R67	7717A-000	Carbon 1/8W (J) 1.2K
R68	7782A-000	Carbon 1/8W (J) 470K
R69	7697A-000	Carbon 1/8W (J) 22K
R70	7720A-000	Carbon 1/8W (J) 47K
R71	7714A-000	Carbon 1/8W (J) 5.6K
R72, R73	7716A-000	Carbon 1/8W (J) 33K
R74	7712A-000	Carbon 1/8W (J) 100K
R75	7724A-000	Carbon 1/8W (J) 4.7K
R76	7725A-000	Carbon 1/8W (J) 560K
R77	8706A-000	Carbon 1/8W (J) 150Ω
R78, R79	7720A-000	Carbon 1/8W (J) 47K
R80	7724A-000	Carbon 1/8W (J) 4.7K
R81	7697A-000	Carbon 1/8W (J) 22K
R82	7724A-000	Carbon 1/8W (J) 4.7K
R83	7701A-000	Carbon 1/8W (J) 10K
R84	7697A-000	Carbon 1/8W (J) 22K
R85	7701A-000	Carbon 1/8W (J) 10K
R86	7720A-000	Carbon 1/8W (J) 47K
R87	7701A-000	Carbon 1/8W (J) 10K
R88	7695A-000	Carbon 1/8W (J) 27K
R89	8711A-000	Carbon 1/8W (J) 39K
R90	7701A-000	Carbon 1/8W (J) 10K
R91	7707A-000	Carbon 1/8W (J) 330K
R92, R93	8712A-000	Carbon 1/8W (J) 56K
R94	7701A-000	Carbon 1/8W (J) 10K
R101	7704A-000	Carbon 1/8W (J) 12K
C1, C2	7108A-000	Ceramic (ZF) 0.022uf 25V
C3	7770A-000	Ceramic (SL) 100pf (J)
C4	8713A-000	Ceramic (SL) 390pf (J)
C5	7108A-000	Ceramic 0.022uf 25V
C6, C7	8714A-000	Electrolytic BP 1uf 50V
C8	8715A-000	Electrolytic 2.2uf 50V
C10	7760A-000	Electrolytic 10uf 16V
C12	8715A-000	Electrolytic 2.2uf 50V
C13	7133A-000	Ceramic B 0.001uf 25V (K)
C14	7145A-000	Electrolytic 220uf 16V
C15, C16	7153A-000	Electrolytic 0.47uf 50V
C17	7133A-000	Ceramic B 0.001uf 25V (K)
C18, C19	7154A-000	Electrolytic 4.7uf 50V
C20	7125A-000	Electrolytic 1uf 50V
C21	7133A-000	Ceramic B 0.001uf 25V (K)
C22	8716A-000	Semi-Conductive 0.01uf 25V (K)
C23	8717A-000	Semi-Conductive 0.05uf 25V (K)
C24	7382A-000	Electrolytic 100uf 16V
C25	8718A-000	Mylar 0.0027uf (J)
C26	8719A-000	Mylar 0.018uf (J)
C27	8720A-000	Mylar 0.068uf (J)
C28	8721A-000	Mylar 0.47uf (J)
C29	8722A-000	Mylar 0.056uf (J)

Schematic Symbol	NuTone Part No.	Description
C31	7145A-000	Electrolytic 220uf 16V
C32	7108A-000	Ceramic (ZF) 0.022uf 25V
C33	7125A-000	Electrolytic 1uf 50V
C34, C35	7138A-000	Electrolytic 47uf 16V
C36	8723A-000	Mylar 0.0022uf (J)
C38	7143A-000	Electrolytic 1000uf 16V
C39	7125A-000	Electrolytic 1uf 50V
C40	7133A-000	Ceramic B 0.001uf 25V (K)
C41	7125A-000	Electrolytic 1uf 50V
C42, C43	7760A-000	Electrolytic 10uf 10V
C44, C45	8724A-000	Semi-Conductive 0.1uf (K)
C46	7138A-000	Electrolytic 47uf 16V
C47	8725A-000	Electrolytic 4.7uf 16V
C48	8726A-000	Electrolytic 0.22uf 50V
POWER LED BOARD ASSEMBLY		
D9	8528A-000 7274A-000	Power LED Board Assembly LED
INPUT TRANSFORMER BOARD ASSEMBLY		
T1	8532A-000 8727A-000	Input Transformer Board Assembly Matching Transformer
MODE SELECTOR BOARD ASSEMBLY		
S5 thru S10	8527A-000 8728A-000	Mode Selector Board Assembly Push Switch
Q90, Q91	8674A-000	Transistor—2SC2021R
D90 thru D94	7274A-000	LED
R95 thru R98	7717A-000	Resistor-Carbon 1/8W (J) 1.2K
R99, R100	7720A-000	Resistor-Carbon 1/8W (J) 47K
MICROPHONE BOARD ASSEMBLY		
MK-1	8529A-000 7742A-000	Microphone Board Assembly ECM
CLOCK, DISPLAY AND MEMORY BOARD ASSEMBLY		
X1	8550A-000 8521A-000 8729A-000	Clock, Display and Memory Board Assembly Radio/Clock Board Assembly Crystal 4.5MHz

REPLACEMENT PARTS

Schematic Symbol	NuTone Part No.	Description
TC1	8730A-000	Ceramic Trimmer 30pf
L1	8731A-000	Inductor 2.2uH
	8732A-000	Parallel Wire 8P
	8733A-000	Parallel Wire 7P
CN-X	7099A-000	Connector-Header 3P
CN-R	7317A-000	Connector-Header 4P
CN-Y	8652A-000	Connector-Header 5P
IC-1	8734A-000	Integrated Circuit—UPB553AC
IC-2	8735A-000	Integrated Circuit—UPD1703C-013
IC-3	8618A-000	Integrated Circuit-Voltage Regulator
Q1 thru Q3	8674A-000	Transistor—2SC2021R
Q4	7037A-000	Transistor—2SC945P
Q5 thru Q11	7748A-000	Transistor—2SA733P
D1 thru D5	8679A-000	Diode
Resistors		
R1	7693A-000	Carbon 1/4W (J) 1.5K
R2	7724A-000	Carbon 1/4W (J) 4.7K
R3, R7, R8, R19	7701A-000	Carbon 1/4W (J) 10K
R4	7706A-000	Carbon 1/4W (J) 100K
R5	7783A-000	Carbon 1/4W (J) 220K
R6	7965A-000	Carbon 1/4W (J) 27K
R9, R10	7782A-000	Carbon 1/4W (J) 470K
R11 thru R16	7720A-000	Carbon 1/4W (J) 47K
R18	7728A-000	Carbon 1/4W (J) 220Ω
R20, R21	7707A-000	Carbon 1/4W (J) 330K
R22 thru R33	7712A-000	Carbon 1/4W (J) 100K
R34 thru R37	7716A-000	Carbon 1/4W (J) 33K
Capacitors		
C1	7133A-000	Ceramic B 0.001uf (K)
C2	8630A-000	Ceramic SL 47pf (J)
C3, C17	7140A-000	Electrolytic 1uf 50V
C4	8690A-000	Semi-Conductive 0.033uf 50V (K)
C5, C7, C13	8716A-000	Semi-Conductive 0.01uf 25V (K)
C6	8736A-000	Ceramic 220pf (J)
C8	8737A-000	Semi-Conductive 0.01uf 25V (K)
C9	8738A-000	Ceramic CH 15pf (J)
C11, C19	7141A-000	Electrolytic 47uf 10V
C12	7138A-000	Electrolytic 47uf 16V
C14	8739A-000	Electrolytic 330uf 10V
C15	8740A-000	Semi-Conductive 0.047uf 25V (K)
C16	8741A-000	Semi-Conductive 0.039uf 25V (K)
DISPLAY BOARD ASSEMBLY		
	8524A-000	Display Board Assembly
FL-1	8742A-000	Display

Schematic Symbol	NuTone Part No.	Description
SW1 thru SW7	8743A-000	Push Switch
Q12	8674A-000	Transistor—2SC2021R
Q13	8670A-000	Transistor—2SA937R
D6 thru D13	8679A-000	Diode
R38, R39	8682A-000	Resistor-Carbon 1/4W (J) 680K
C20	8744A-000	Axial Cap SL 100pf (J)
MEMORY SWITCH BOARD ASSEMBLY		
	8525A-000	Memory Switch Board Assembly
SW8 thru SW13	8743A-000	Push Switch
TUNER P.C. BOARD ASSEMBLY		
	8535A-000	Tuner P.C. Board Assembly
T1	8745A-000	FM IFT
T2	8746A-000	AM PF
T3	8747A-000	AM Local Osc.
T4	8748A-000	AM IFT
T5	8749A-000	FM Demod.
L2	8750A-000	FM RF
L3	8751A-000	FM Local Osc.
L4	8752A-000	Inductor 4.7uH
L5	8731A-000	Inductor 2.2uH
TC1, TC2	8753A-000	Ceramic Trimmer 20pf
BF1	8754A-000	BPF
CF1, CF2	8755A-000	Ceramic Filter SFE 10.7
CF3	8756A-000	Ceramic Filter SFZ 450B
CF4	8757A-000	Ceramic Filter SFU 450
VR1	8758A-000	Resistor-Semifixed 30K
VR2	8759A-000	Resistor-Semifixed 10K
ANT PIN	8760A-000	Wrapping Pin
CN-T	8761A-000	Connector-Header 5P
	8762A-000	Board Support
IC1	8763A-000	Integrated Circuit—LA1186N
IC2	8764A-000	Integrated Circuit—LA1265
Q1, Q2	7025A-000	Transistor—2SK212E
Q3	7283A-000	Transistor—2SC1675L
D1, D2, D7, D8	8679A-000	Diode
D3, D4	8765A-000	Varicap

REPLACEMENT PARTS

Schematic Symbol	NuTone Part No.	Description
D5, D6 D9	8766A-000 8767A-000	Varicap LED
Resistors		
R1	7688A-000	Carbon 1/4W (J) 1Meg.
R2, R4	7716A-000	Carbon 1/4W (J) 33K
R3, R22	7698A-000	Carbon 1/4W (J) 22Ω
R5, R10, K15	7705A-000	Carbon 1/4W (J) 470Ω
R6, R16, R17	7712A-000	Carbon 1/4W (J) 100K
R7, R8	8706A-000	Carbon 1/4W (J) 150Ω
R9	7728A-000	Carbon 1/4W (J) 220Ω
R11	7786A-000	Carbon 1/4W (J) 560Ω
R12, R25	7703A-000	Carbon 1/4W (J) 18K
R13, R26	8768A-000	Carbon 1/4W (J) 68K
R14, R28, R33	7702A-000	Carbon 1/4W (J) 1K
R18	7717A-000	Carbon 1/4W (J) 1.2K
R19, R23, R24, R30, R34	7701A-000	Carbon 1/4W (J) 10K
R20, R32	8769A-000	Carbon 1/4W (J) 47Ω
R21	7697A-000	Carbon 1/4W (J) 22K
R27	7706A-000	Carbon 1/4W (J) 100Ω
R29	7789A-000	Carbon 1/4W (J) 15K
R31	7783A-000	Carbon 1/4W (J) 220K
R35, R36	7792A-000	Carbon 1/4W (J) 56K
Capacitors		
C1	7110A-000	Ceramic SL 22pf (J)
C2	8770A-000	Ceramic B 560pf (J)
C3, C5, C35	7133A-000	Ceramic B 0.001uf (K)
C4, C6, C7, C9, C11 thru C14, C38	8716A-000	Semi-Conductive 0.01uf (K)
C8	8771A-000	Ceramic CH 30pf
C10	7111A-000	Ceramic CH 5pf
C15	8772A-000	Ceramic CH 6pf
C16	8773A-000	Ceramic CH 22pf
C17	8774A-000	Styrol 470pf (J)
C18 thru C21, C24, C26, C28, C29, C34	7108A-000	Ceramic ZF 0.022uf (Z)
C22	8715A-000	Electrolytic 2.2uf 50V
C23	7138A-000	Electrolytic 47uf 16V
C25	8775A-000	Semi-Conductive 0.0082uf (K)
C27, C33	7760A-000	Electrolytic 10uf 10V
C31	7154A-000	Electrolytic 4.7uf 50V
C32	8776A-000	Electrolytic 3.3uf 50V
C33	7760A-000	Electrolytic 10uf 50V
C36, C37	7140A-000	Electrolytic 1uf 50V
C39	8630A-000	Ceramic CH 47pf
C41	8777A-000	Semi-Conductive 0.0047uf (K)
C42	8714A-000	Electrolytic BP 1uf 50V
C43	8778A-000	Ceramic CH 4pf

Schematic Symbol	NuTone Part No.	Description
TERMINAL BOARD ASSEMBLY		
	8531A-000	Terminal Board Assembly
RL1 thru RL9	8655A-000	Relay 2 Pole
CN-A1	8652A-000	Connector-Header 5 Pin
CN-M2	7282A-000	Connector-Header 9 Pin
CN-B	7923A-000	Connector-Header 10 Pin
CN-R	8779A-000	Connector-Header (NH) 9 Pin
CN-11	8780A-000	Connector-Header (XH) 5 Pin
CN-M1	8781A-000	Connector-Header (XH) 9 Pin
CN-D/ 10/A	8782A-000	Connector-Header (EH) 9 Pin
	8783A-000	Connector Pin
CN-REM1 thru CN- REM9	8784A-000	Connector-Header (AMP) 6 Pin
Q1 thru Q9	8674A-000	Transistor—2SC2021R
D1 thru D9	8678A-000	Diode—1N4002
R1 thru R9	7720A-000	Resistor-Carbon 1/4W (J) 47K
	8604A-000	Cassette Tape-Blank
	8571A-000	Drive Belt-Cassette
	8572A-000	Pulley Belt-Cassette
B13	8898A-000	Switch P.C. Board Holder
CASSETTE DECK ASSEMBLY		
1	8967A-000	Cassette Case—PBE166404
2		Keep Plate—PBE14715
3		Mechanism Cover—PBD2327
4		Button Shaft—PBE15901
5	8968A-000	Button Lever—PBE2960
6		Spring—PBE6354
7		Bush—PBE14927
8		Felt Washer—PBE16459
9	8969A-000	R/P Head—165M278
10	8970A-000	Erase Head—1665M279
11		C. Spring—PBE13666
12		Head Base—PBC1145
13		Spring—PBE6508
14		F.R. Lever—PBE15920
15		Nut—PGNH22A20
16		P. Idler Assembly—PBE03245
17		Spring—PBE6384
18		Reset Lever—PBE15577
19		Washer—PGWM16X04020
20		T. Reel Assembly—PBE02161
21	8971A-000	Interlock Plate—PBD1601
22		S. Reel Mail—PBD10612
23		F.R. Unlock Lever—PBD15574
24		Spring—PBE6557
25		P. Unlock Lever—PBE15576

REPLACEMENT PARTS

Schematic Symbol	NuTone Part No.	Description
26		P.L. Lock Plate—PBE1796
27		Spring—PBE6349
28		F.R. Lock Plate—PBD1797
29	8972A-000	Dumper Assembly—PBD0785
30		Recorder Cover Plate—PBE15578
31		C. Spring—PBE6517
32		Spring—PBE6350
33		F. Idler Gear—PBE15585
34		Senser Cam—PBE15589
35		A.S. Gear—PBE15582
36		Cassette Holder—PBE15945
37	8973A-000	Eject Cam—PBE15565
38	8974A-000	Latch Lever—PBD1805
39	8975A-000	Pinch Arm Assembly—PBE02164
40		Spring—PBE6394
41		Earth Lug—PBE15570
42		Spring—PBE6386
43		S. Reel Gear—PBE17295
44		Chassis Assembly—PBD0783
45		S.E. Lever—PBE15557
46		Pause Lever—PBD1793
47		F.P. Lever—PBE15923
48		Rew. Lever—PBE15924
49		P.L. Lever—PBE15558
50		Rec. Level—PBD1798
51		
52		Spring—PBE6552
53		
54		Earth Lug—PBE14710
55		Spacer—PBE14966 or PBE14996
56		
57		
58		Lock Pin—PBE15801
59		Capstan Support—PBE15939
60		
61	8976A-000	Belt—PBE5083
62		
63	8977A-000	Fly Wheel Assembly—PBD0782
64		Washer—PGWP21X040013
65		Gear Holder—PBE15561
66		
67	8978A-000	Motor—EG-500AD-2B
68		Motor Plate—PBE15938

Schematic Symbol	NuTone Part No.	Description
69	8979A-000	Pully—PBE15599
70		
71	8980A-000	F.R. Idler Arm Assembly—PBD0818
72		Spring—PBE6620
73		Assist Gear "A"—PBD1791
74		Assist Gear "B"—PBE15955
75		Spring—PBE6342
76		P. Cam Lever—PBE15566
77		
78		
79		C.R. Cam Lever—PBD1792
80		Spring—PBE6344
81		F.R. Start Lever—PBD1833
82		F.R.S. Lever—PBD1834
83		Protect Plate—PBE15588
84		Spring—PBE6343
85		Recorder Joint Plate—PBE15569
86		Spring—PBE634
87		
88		
89		T. Spring—PBE6355
90		Recorder Change Plate—PBE15563
91		P.L. Start Lever—PBE15562
92		
93		Spring—PBE6348
94		Dumper Holder—PBE16650
95		Rev. Support Plate—PBE15948
96		R.S.W. Lever—PBE15571
97	8981A-000	Leaf Switch—MSW1498
98	8982A-000	Leaf Switch—H580714
99		M.S.W. Lever—PBE15579
100		Support Plate—PBE15893
101		Adhesive Tape—PBE17574
102	8983A-000	Connector Assembly
103	8984A-000	Connector Assembly
201	8985A-000	Tapping Screw
202	8986A-000	Tapping Screw
203	8987A-000	Screw
204	8988A-000	F. Tapping Screw
205	8989A-000	Screw
206	8990A-000	D. Screw
207	8991A-000	F. Tapping Screw

REPLACEMENT PARTS

Model IC-401 Inside Remote Control Panel

Schematic Symbol	NuTone Part No.	Description
	35577-000	Remote Control Panel
	43215-000	P.C. Board Assembly
a-a, b-b	33085-000	Resistor—0 OHM
R2	33082-331	Resistor—Film ¼W 330
R1	33082-102	Resistor—Film ¼W 1K
R3	34059-000	Potentiometer—Volume Control
D1, D2, D3, D4	36549-000	Diode-Rectifier
SW1	34697-000	Switch—Latching, DPDT
SW2, SW3, SW4	34698-000	Switch—Momentary, DPDT
J1	39967-000	Right Angle Header—6 POS.
K1	8368A-000	Relay—12 VDC, DPDT
	L2607-000	Screw—#8 x ¾ PH. PAN. HD. "25"
	35473-000	Knob—Switch
	35506-000	Knob—Volume Control
	52872-000	Screw—#8 x 2" PH. FIL. HD. "A"
	39965-000	Receptacle—6 POS.

Model IC-401 WH Inside Remote Control Panel

Schematic Symbol	NuTone Part No.	Description
	35826-000	Remote Control Panel
	43215-000	P.C. Board Assembly
a-a, b-b	33085-000	Resistor—0 OHM
R2	33082-331	Resistor—Film ¼W 330
R1	33082-102	Resistor—Film ¼W 1K
R3	34059-000	Potentiometer—Volume Control
D1, D2, D3, D4	36549-000	Diode-Rectifier
SW1	34697-000	Switch—Latching, DPDT
SW2, SW3, SW4	34698-000	Switch—Momentary, DPDT
J1	39967-000	Right Angle Header—6 POS.
K1	8368A-000	Relay—12 VDC, DPDT
	L2607-000	Screw—#8 x ¾ PH. PAN. HD. "25"
	35473-000	Knob—Switch
	35827-000	Knob—Volume Control
	52872-000	Screw—#8 x 2" PH. FIL. HD. "A"
	39965-000	Receptacle—6 POS.

Model IC-401 W Outside Remote Control Panel

Schematic Symbol	NuTone Part No.	Description
	35577-000	Remote Control Panel
	8369A-000	Rain Shield
	31967-000	Cable Clamp
	43233-000	P.C. Board Assembly
a-a, b-b	33085-000	Resistor—0 OHM
R2	33082-331	Resistor—Film ¼W 330
R1	33082-102	Resistor—Film ¼W 1K
R3	34059-000	Potentiometer—Volume Control
D1, D2, D3, D4	36549-000	Diode-Rectifier
SW1	34697-000	Switch—Latching, DPDT
SW2, SW3, SW4	34698-000	Switch—Momentary DPDT
J1	39967-000	Right Angle Header—6 POS.
K1	8368A-000	Relay—12 VDC (Sealed) DPDT
	L2607-000	Screw—#8 x ¾ PH. PAN. HD. "25"
	35473-000	Knob—Switch
	35506-000	Knob—Volume Control
	66731-000	Screw—#8 x ¾ PH. FIL. HD. "25"
	35351-000	Gasket
	39965-000	Receptacle—6 POS.
	39890-000	Surface Mount Bezel

Models IS-405D and IS-405L 5" Remote Speaker Panel

Schematic Symbol	NuTone Part No.	Description
	35578-000	Remote Speaker Panel (IS-405D)
	35579-000	Remote Speaker Panel (IS-405L)
	36090-000	Speaker—5"
	L2607-000	Screw—#8 x ¾ PH. PAN. HD. "25"
	43215-000	P.C. Board Assembly
AA1, AA2	33085-000	Resistor—0 OHM
R2	33082-331	Resistor—Film ¼W 330
R1	33082-102	Resistor—Film ¼W 1K
R3	34059-000	Potentiometer—Volume Control
D1, D2, D3, D4	36549-000	Diode—Rectifier
SW1	34697-000	Switch—Latching, DPDT
SW2, SW3, SW4	34698-000	Switch—Momentary, DPDT
J1	39967-000	Right Angle Header—6 POS.
K1	8368A-000	Relay—12 VDC, DPDT
	L2607-000	Screw—#8 x ¾ PH. PAN. HD. "25"
	35473-000	Knob—Switch
	35506-000	Knob—Volume Control (IS-405L)
	35475-000	Knob—Volume Control (IS-405D)
	39941-000	Screw—#8 x 2½ PH. FIL. HD. "A" (IS-405D-068)
	39941-000	Screw—#8 x 2½ PH. FIL. HD. "A" (IS-405L-039)
	39965-000	Receptacle—6 POS.

REPLACEMENT PARTS

Model IS-405 WH 5" Remote Speaker Panel

Schematic Symbol	NuTone Part No.	Description
A-A1, A-A2 R2 R1 R3 D1, D2, D3, D4 SW1 SW2, SW3, SW4 J1 K1	35829-000	Remote Speaker Panel
	36090-000	Speaker—5"
	L2607-000	Screw—#8 x 3/4 PH. PAN. HD. "25"
	43215-000	P.C. Board Assembly
	33085-000	Resistor—0 OHM
	33082-331	Resistor—Film 1/4W 330
	33082-102	Resistor—Film 1/4W 1K
	34059-000	Potentiometer—Volume Control
	36549-000	Diode—Rectifier
	34697-000	Switch—Latching, DPDT
	34698-000	Switch—Momentary, DPDT
	39967-000	Right Angle Header—6 POS.
8368A-000	Relay—12 VDC, DPDT	
L2607-000	Screw—#8 x 3/4 PH. PAN. HD. "25"	
35473-000	Knob—Switch	
35827-000	Knob—Volume Control	
39941-000	Screw—#8 x 2 1/2 PH. FIL. HD. "A"	
39965-000	Receptacle—6 POS.	

Model IS-408 WH 8" Remote Speaker Panel

Schematic Symbol	NuTone Part No.	Description
A-A1, A-A2 R2 R1 R3 D1, D2, D3, D4, SW1 SW2, SW3, SW4 J1 K1	35828-000	Speaker Panel
	43215-000	P.C. Board Assembly
	33085-000	Resistor—0 OHM
	33082-331	Resistor—Film 1/4W 330
	33082-102	Resistor—Film 1/4W 1K
	34059-000	Potentiometer—Volume Control
	36549-000	Diode—Rectifier
	34697-000	Switch—Latching, DPDT
	34698-000	Switch—Momentary, DPDT
	39967-000	Right Angle Header—6 POS.
	8368A-000	Relay—12 VDC, DPDT
	L2607-000	Screw—#8 x 3/4 PH. PAN. HD. "25"
35473-000	Knob—Switch	
35827-000	Knob—Volume Control	
39941-000	Screw—#8 x 2 1/2 PH. FIL. HD. "A"	
39965-000	Receptacle—6 POS.	

Model IR-310 Rough-In Frame

Schematic Symbol	NuTone Part No.	Description
	43079-000	Frame Assembly
	35570-000	Housing—Transformer
	08701-910	Transformer (Ref. Model 310T)
	43080-000	Cover Assembly—Transformer
	52789-000	Screw—#6 x 1/2 COMB. PH. SLT. OV. "25"
	43012-000	F.M. Antenna Assembly—COMP.

Models IS-408D and IS-408L 8" Remote Speaker Panel

Schematic Symbol	NuTone Part No.	Description
AA1, AA2 R2 R1 R3 D1, D2, D3, D4 SW1 SW2, SW3, SW4 J1 K1	35581-000	Remote Speaker Panel (IS-408D)
	35582-000	Remote Speaker Panel (IS-408L)
	36089-000	Speaker—8"
	L2607-000	Screw—#8 x 3/4 PH. PAN. HD. "25"
	43215-000	P.C. Board Assembly
	33085-000	Resistor—0 OHM
	33082-331	Resistor—Film 1/4W 330
	33082-102	Resistor—Film 1/4W 1K
	34059-000	Potentiometer—Volume Control
	36549-000	Diode—Rectifier
	34697-000	Switch—Latching, DPDT
	34698-000	Switch—Momentary, DPDT
39967-000	Right Angle Header—6 POS.	
8368A-000	Relay—12 VDC, DPDT	
L2607-000	Screw—#8 x 3/4 PH. PAN. HD. "25"	
35473-000	Knob—Switch	
35475-000	Knob—Volume Control (IS-408D)	
35506-000	Knob—Volume Control (IS-408L)	
39941-000	Screw—#8 x 2 1/2 PH. FIL. HD. "A" (IS-408D-068)	
39941-000	Screw—#8 x 2 1/2 PH. FIL. HD. "A" (IS-408L-039)	
39965-000	Receptacle—6 POS.	

Model IS-409 5" Outside Remote Speaker

Schematic Symbol	NuTone Part No.	Description
AA1, AA2 R2 R1 R3 D1, D2, D3, D4, SW1 SW2, SW3, SW4 J1 K1	35580-000	Remote Speaker Panel
	36108-000	Speakers—5" (Weatherproof)
	12607-000	Screw—#8 x 3/4 PH. PAN. HD. "25"
	8369A-000	Rain Shield
	31967-000	Cable Clamp
	43233-000	P.C. Board Assembly
	33085-000	Resistor—0 OHM
	33082-331	Resistor—Film 1/4W 330
	33082-102	Resistor—Film 1/4W 1K
	34059-000	Potentiometer—Volume Control
	36549-000	Diode—Rectifier
	34697-000	Switch—Latching, DPDT
34698-000	Switch—Momentary, DPDT	
39967-000	Right Angle Header—6 POS.	
8368A-000	Relay—12 VDC (Sealed) DPDT	
L2607-000	Screw—#8 x 3/4 PH. PAN. HD. "25"	
35473-000	Knob—Switch	
35506-000	Knob—Volume Control	
35496-000	Surface Mount Frame	
52872-000	Screw—#8 x 2 PH. FIL. HD. "25"	
52807-000	Screw—#6-32 x 1 1/4 PH. OV. HD.	
35491-000	Gasket	
39965-000	Receptacle—6 POS.	