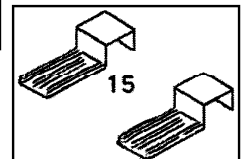
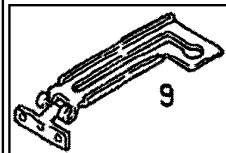
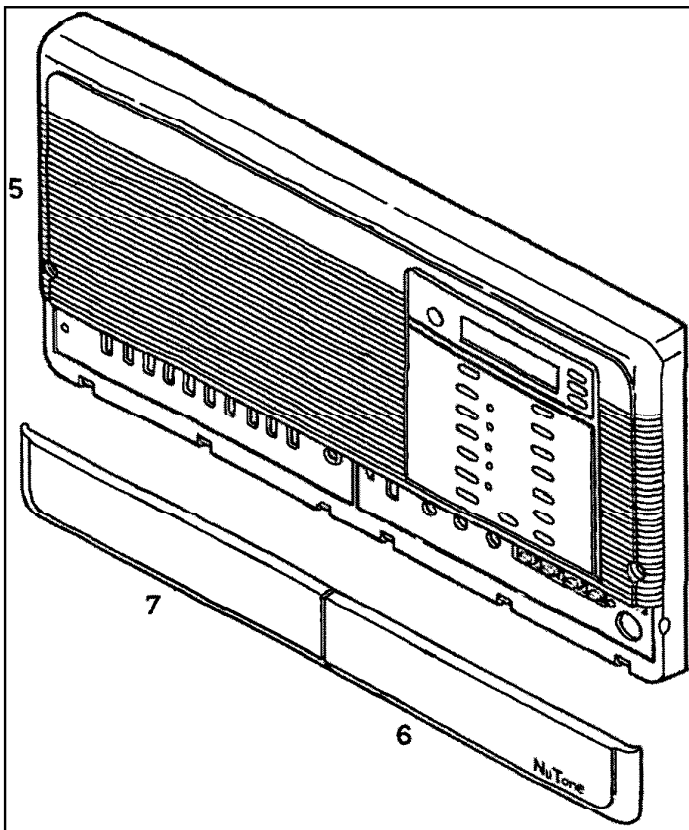
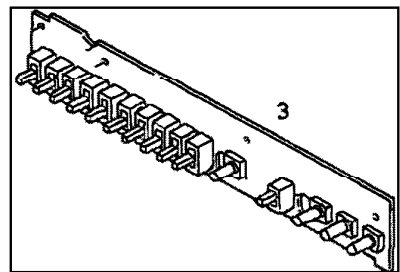
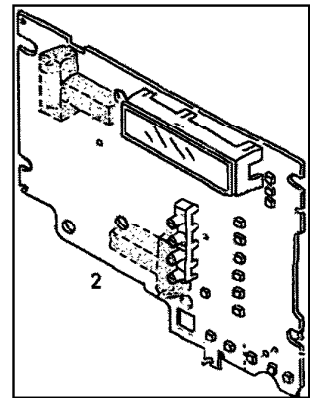
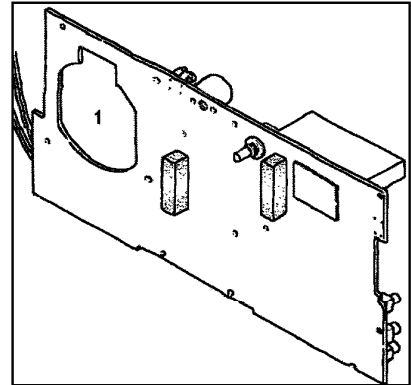
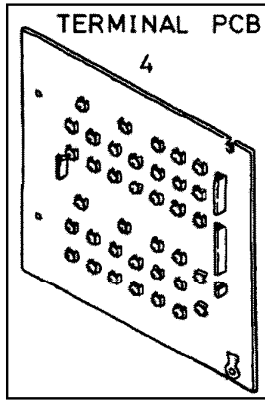
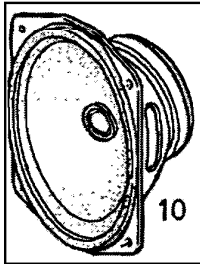
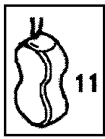


NuTone

IM3303
Apr-04



No.	Description	Model No.
1	Main PC Board Assy.	Rev.2 Serial N0. 5501 & Above
		Rev.1 Serial N0. 5500 & Below
2	Control PC board Assy.	Rev.2 Serial N0. 5501 & Above
		Rev.1 Serial N0. 5500 & Below
3	Selector Switch Control PC Board	Rev.2 Serial N0. 5501 & Above
		Rev.1 Serial N0. 5500 & Below
4	Terminal PC Board All revisions	
5	Front Panel Assy.	<u>Biscuit</u>
		<u>White</u>
6	Right Door Assy.	<u>Biscuit</u>
		<u>White</u>
7	Left Door Assy.	<u>Biscuit</u>
		<u>White</u>
8	Main Volume Knob	
9	Hinge Bracket Assy. (2 Needed)	
10	Speaker	
11	Battery Ni-Cad 4.8V	
12	Hardware Bag Assy. IM3303 (Not Shown)	
13	Antenna (Not Shown)	
14	Transformer (2 Required)	
15	Mounting Hardware Bag IR104	

Replacement Parts

IM-3303WH

MAIN P.C. BOARD

SCHEMATIC SYMBOL	NUTONE PART NO.	DESCRIPTION
INTEGRATED CIRCUITS		
IC202, IC206	0268B-000	IC, OP AMP (NJM2904-D)
IC203, IC204	0269B-000	IC, OP AMP (NJM2903-D)
IC401	0270B-000	IC, 5 VOLT REG (NJM74M05FA)
IC402	0271B-000	IC, 12 VOLT REG (NJM74M12FA)
IC101	0278B-000	IC, PLL (TC9216P)
IC102	0279B-000	IC, FM IF (LA1140)
TU101	0295B-000	AM/FM TUNER (122E-3AF)
IC201	8702A-000	IC, BI-LATERAL SWITCH (NJU4066BD)
IC207	7241A-000	IC, 5 VOLT REG (NJM74L05A)
TRANSISTORS		
Q101, Q102, Q103, Q106, Q107, Q108, Q109, Q201, Q202, Q203, Q204, Q205, Q206, Q207, Q208, Q214, Q215, Q216, Q217, Q221, Q408	0272B-000	TRANSISTOR (2SC536FSPAAC)
Q409	0275B-000	TRANSISTOR (2SA608F-SPA)
Q218, Q219, Q220	0280B-000	TRANSISTOR, FET (2SK1482-T)
Q401, Q402	0281B-000	TRANSISTOR (2SA1016K(G) OR (2SA922(F)-T)
Q403	0283B-000	TRANSISTOR (2SA608FSPAAC)
Q404	0284B-000	TRANSISTOR (2SC2362G-AA) OR (2SC1845(F)-T)
Q407	0286B-000	TRANSISTOR (2SC1568R)
Q410	0289B-000	TRANSISTOR (2SD1407Y)
Q411	0290B-000	TRANSISTOR (2SB1016Y)
DIODES		
D408, D413, D414	0267B-000	SURGE ABSORBER (EZRC03DK241)
D411, D412	0277B-000	DIODE (GBU4D)
LEDs		
D405	0299B-000	LED (LLP-244HO)

MISCELLANEOUS

SCHEMATIC SYMBOL	NUTONE PART NO.	DESCRIPTION
	0276B-000	HARDWARE BAG ASSEMBLY MOUNTING BRACKETS (2) MOUNTING SCREWS (2) SHOULDER SCREWS (2) TAPPING SCREWS (8)

SCHEMATIC SYMBOL	NUTONE PART NO.	DESCRIPTION
RESISTORS		
R422, R426	0291B-000	METAL FILM RESISTOR (2W J 0.22 OHM)
R432	0292B-000	METAL FILM RESISTOR (2W J 2.2 OHM)
VARIABLE RESISTORS		
VR201	0293B-000	SEMI FIXED RESISTOR (100K OHM B)
VR401	0294B-000	SEMI FIXED RESISTOR (500 OHM)
VR203	0297B-000	SEMI FIXED RESISTOR MASTER VOLUME (300 OHM B 1W)
RELAYS		
HL201, HL202, RL203, RL205	0273B-000	RELAY (QUAZ-SS-112D)

CONTROL P.C. BOARD

SCHEMATIC SYMBOL	NUTONE PART NO.	DESCRIPTION
INTEGRATED CIRCUITS		
IC601	0274B-000	IC, CPU (UPD7532BGC-706)
IC602, IC603	0300B-000	IC D-FLIP/FLOP (TC74HC374AP) OR (MC74HC374AN)
IC604	0302B-000	IC, RESET (PST600G)
IC605	0303B-000	IC, POWER SUPPLY MONITOR
TRANSISTORS		
Q601	0275B-000	TRANSISTOR (2SA608F-SPA)
LEDs		
D607, D609, D611, D613, D615	0298B-000	(LN4407YCP) LED
D625, D626, D627, D628, D629	0299B-000	(LLP-244HO) LED
LCD		
LCD601	0304B-000	LCD (HLC8548-012219)

SELECTOR SWITCH CONTROL P.C. BOARD

SCHEMATIC SYMBOL	NUTONE PART NO.	DESCRIPTION
TRANSISTORS		
Q501, Q502, Q503	0272B-000	TRANSISTOR (2SC536FSPAAC)
VARIABLE RESISTORS		
VR501, VR502, VR503, VR504	0296B-000	SEMI FIXED RESISTOR VOLUME 50K OHM
LCD		
LCD601	0304B-000	LCD (HLC8548-012219)