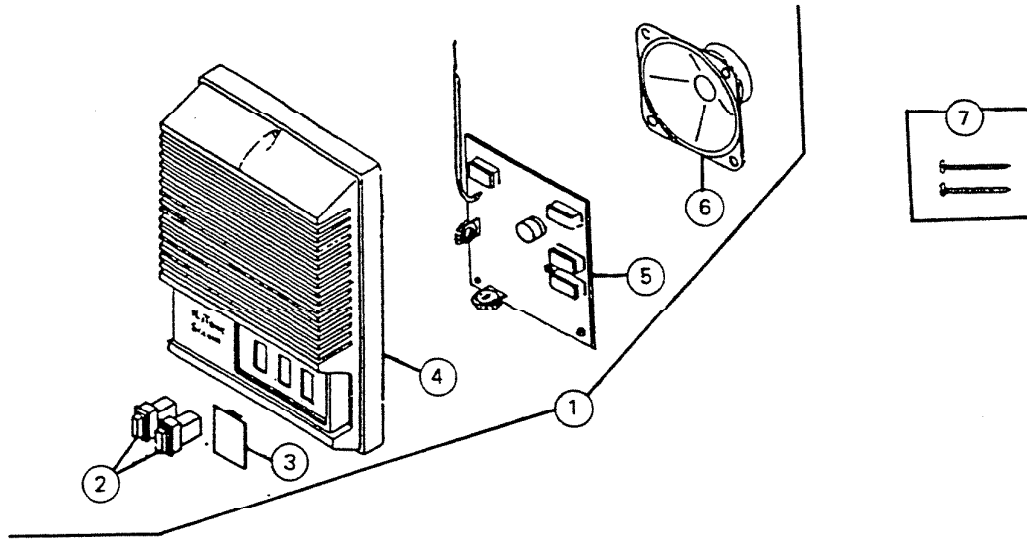


PARTS LIST

EFFECTIVE DATE	MODEL	PRODUCT GROUP
JAN. 1987	IM-25 NEW	Electronics



REF.	ORIGINAL PART NO.	* PART DESCRIPTION	MODEL USED ON	CURRENT REPLACEMENT PART NO.
1	43085	SPEAKER - COMPLETE	IM-25	43085-000
2	6918A	PUSHBUTTON	IM-25	6918A-000
3	6917A	PLUG	IM-25	6917A-000
4	6916A	SPEAKER PANEL	IM-25	6916A-000
5	7572A	P.C. BOARD ASSEMBLY	IM-25	7572A-000
6	36076	SPEAKER 3-1/2" 16 OHM	IM-25	36076-000
7	7571A	ENVELOPE ASSEMBLY (MOUNTING SCREWS)	IM-25	7571A-000

NuTone

NOTE: Always order by current part number