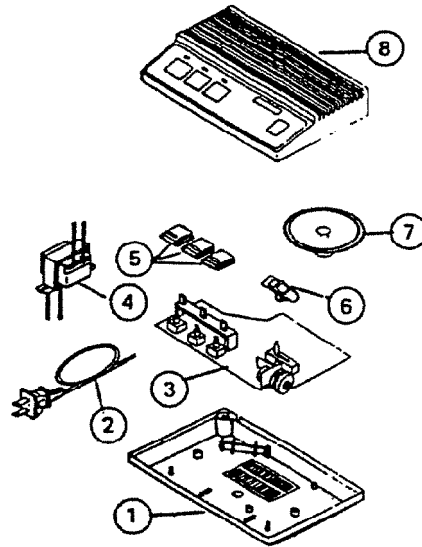


PARTS LIST

EFFECTIVE DATE	MODEL	PRODUCT GROUP
	IM-110WH	ELECTRONICS

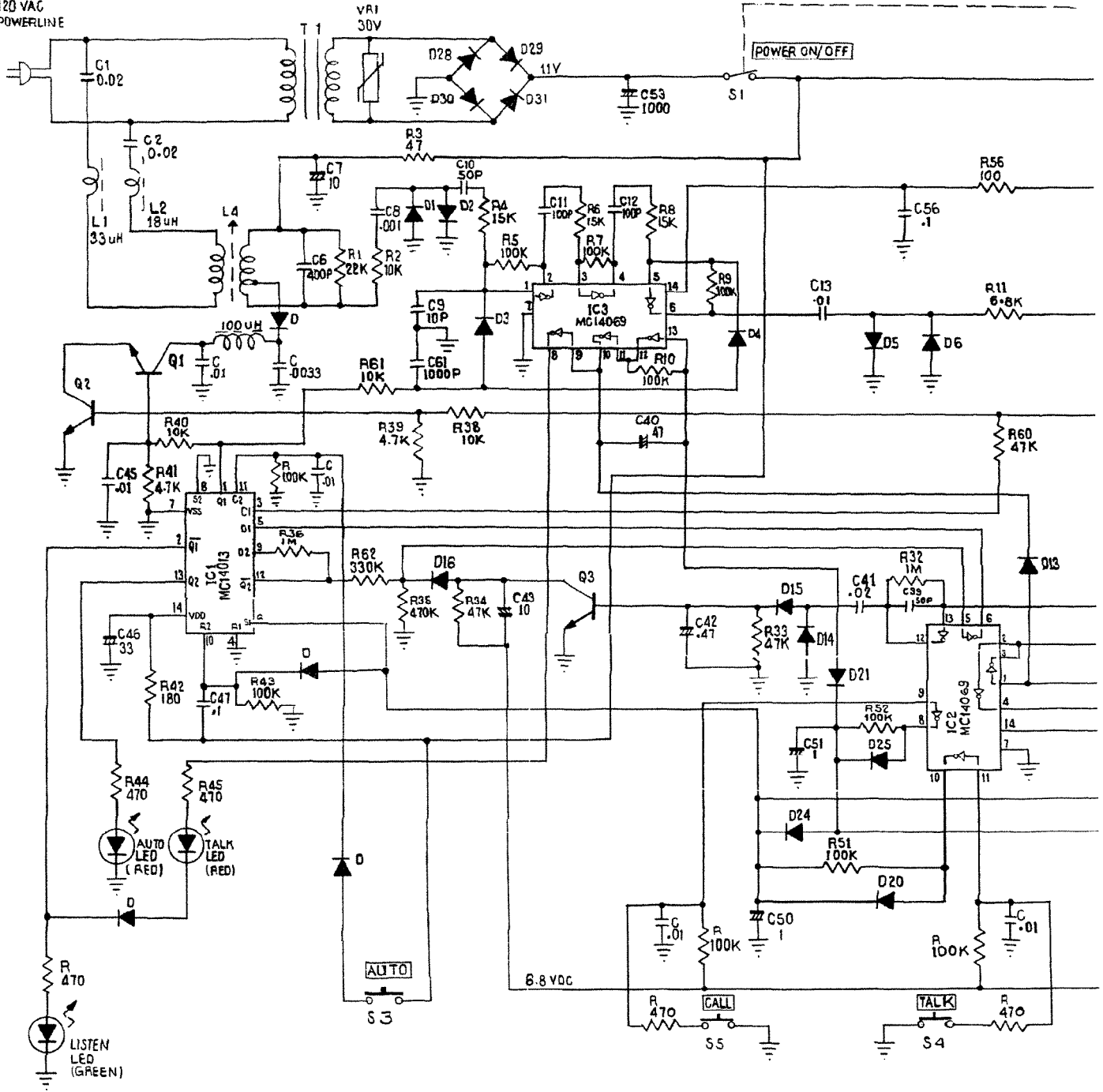


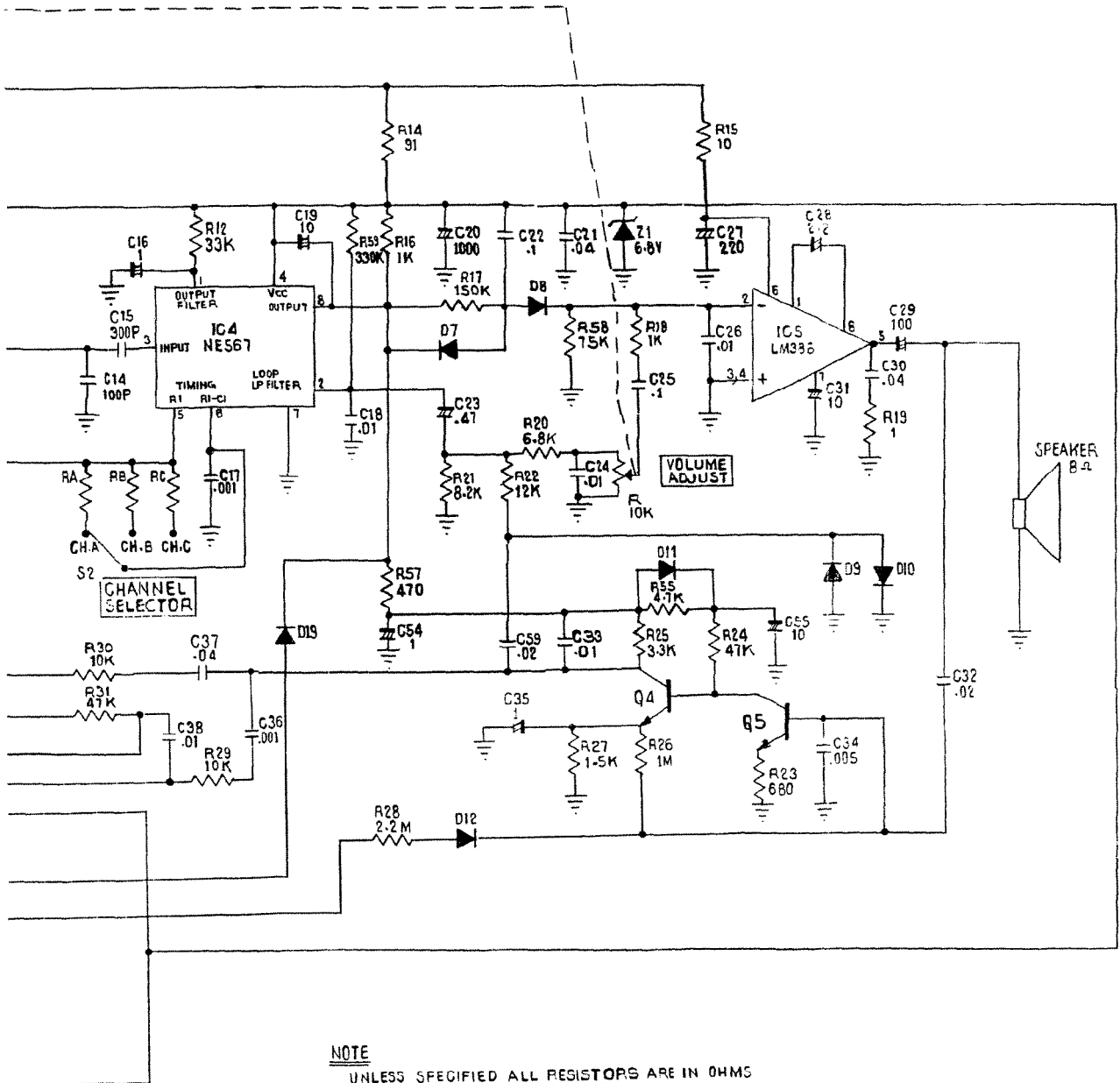
REF. NO.	ORIGINAL PART NO.	*PART DESC	PART NO.
1	8275A	BASE	8275A-000
2	8272A	110 VOLT LINE CORD	8272A-000
3	8271A	PC BOARD ASSY	8271A-000
4	8273A	TRANSFORMER	8273A-000
5	8269A	PUSH BUTTON	8269A-000
6	8270A	BUTTON SLIDE SWITCH	8270A-000
7	8274A	SPEAKER	8274A-000
8	8276A	COVER	8276A-000

NuTone

NOTE: Always order by current part number.

10
120 VAC
POWERLINE





NOTE

UNLESS SPECIFIED ALL RESISTORS ARE IN OHMS
 CAPACITORS ARE IN MICRO FARADS
 INDUCTORS ARE IN MICRO HENRIES