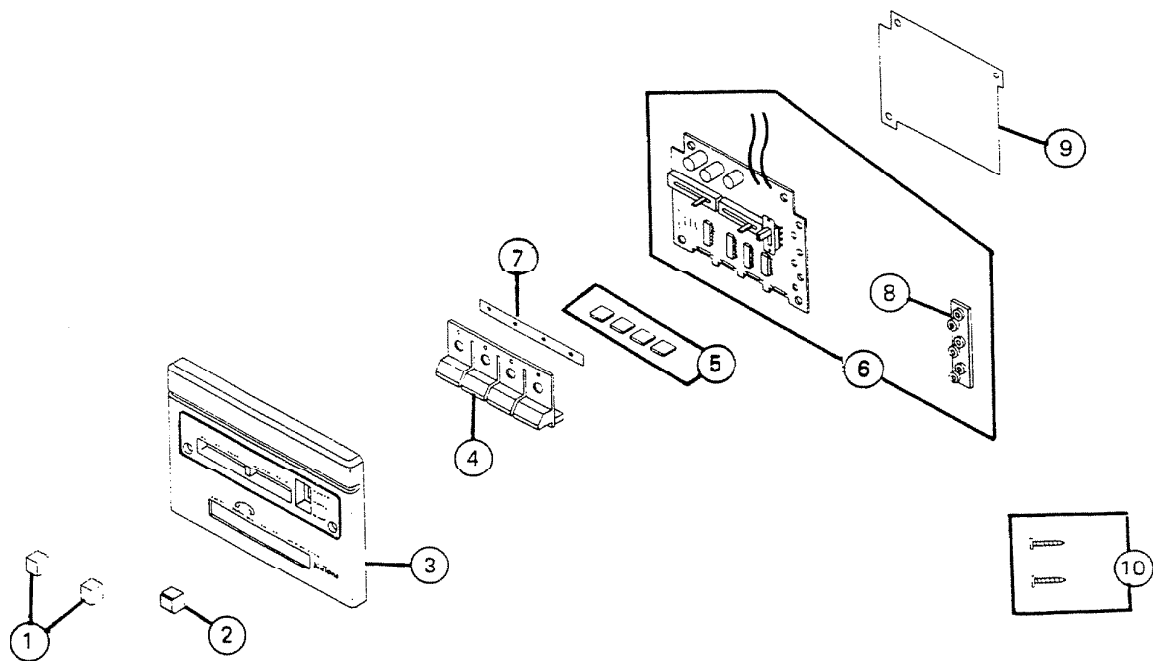


PARTS LIST

EFFECTIVE DATE	MODEL	PRODUCT GROUP
MARCH 1982	IC-81 INSIDE NEW	ELEC- TRONICS



REF.	ORIGINAL PART NO.	PART DESCRIPTION	MODEL USED ON	CURRENT REPLACEMENT PART NO.
1	35328	KNOB - SLIDE POT	IC-81	35328-000
2	35330	KNOB - 3 POSITION SWITCH	IC-81	35330-000
3	0511A	INSIDE REMOTE CONTROL PANEL ASSEMBLY	IC-81	0511A-000
4	42766	PUSHBUTTON	IC-81	42766-000
5	0509A	MAGNET SET (4)	IC-81	0509A-000
6	42696	P.C. BOARD ASSEMBLY - COMPLETE	IC-81	42696-000
7	35306	PUSHBUTTON RETIANER	IC-81	35306-000
8	35326	SCREW RETAINER - P.C. BOARD	IC-81	35326-000
9	48941	COVER - 5" P.C. BOARD	IC-81	48941-000
10	42618	ENVELOPE ASSEMBLY (MOUNTING SCREWS)	IC-81	42618-000

NuTone

Housing Group

Scovill

NOTE Always order by current part number

PI-IC-81-NEW