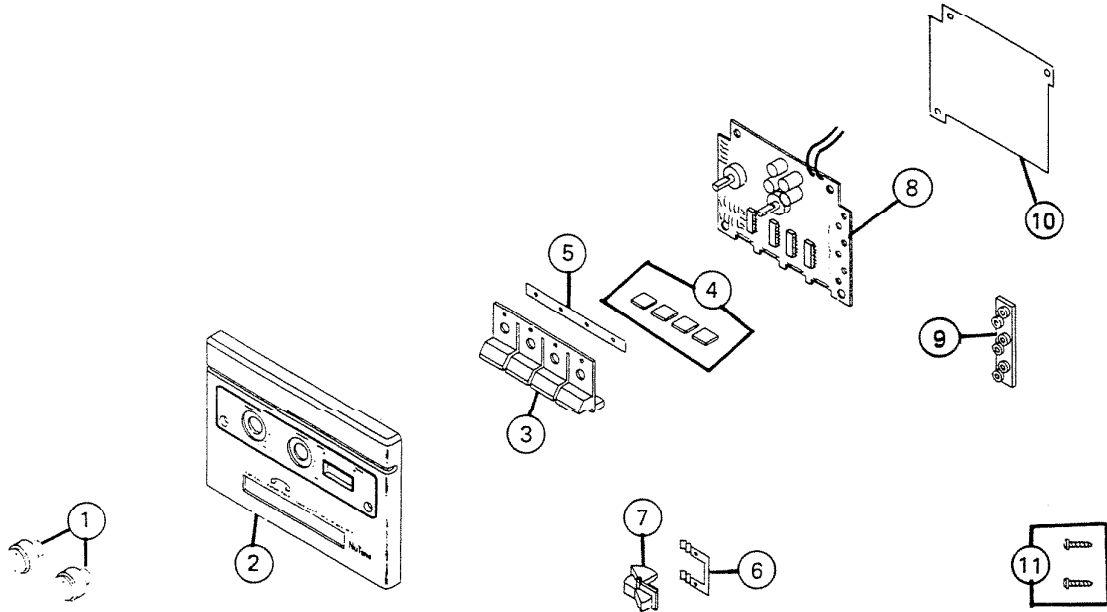


PARTS LIST

EFFECTIVE DATE	MODEL	PRODUCT GROUP
MARCH 1982	IC-81W OUTSIDE NEW	ELEC- TRONICS



REF	ORIGINAL PART NO.	PART DESCRIPTION	MODEL USED ON	CURRENT REPLACEMENT PART NO.
1	35333	KNOB 1 – 2 REQUIRED	IC-81W	35333-000
2	0516A	OUTSIDE REMOTE CONTROL PANEL ASSEMBLY	IC-81W	0516A-000
3	42766	PUSHBUTTON	IC-81W	42766-000
4	0509A	MAGNET SET (4)	IC-81W	0509A-000
5	35306	PUSHBUTTON RETAINER	IC-81W	35306-000
6	35338	RETAINER – ROCKER SWITCH	IC-81W	35338-000
7	0517A	ROCKER SWITCH ASSEMBLY	IC-81W	0517A-000
8	42695	P.C. BOARD ASSEMBLY – COMPLETE	IC-81W	42695-000
9	35326	SCREW RETAINER – P.C. BOARD	IC-81W	35326-000
10	48941	COVER – 5" P.C. BOARD	IC-81W	48941-000
11	0514A	ENVELOPE ASSEMBLY (MOUNTING SCREWS)	IC-81W	0514A-000

NuTone

Housing Group

Scovill

NOTE Always order by current part number

PL-IC-81W, NEW