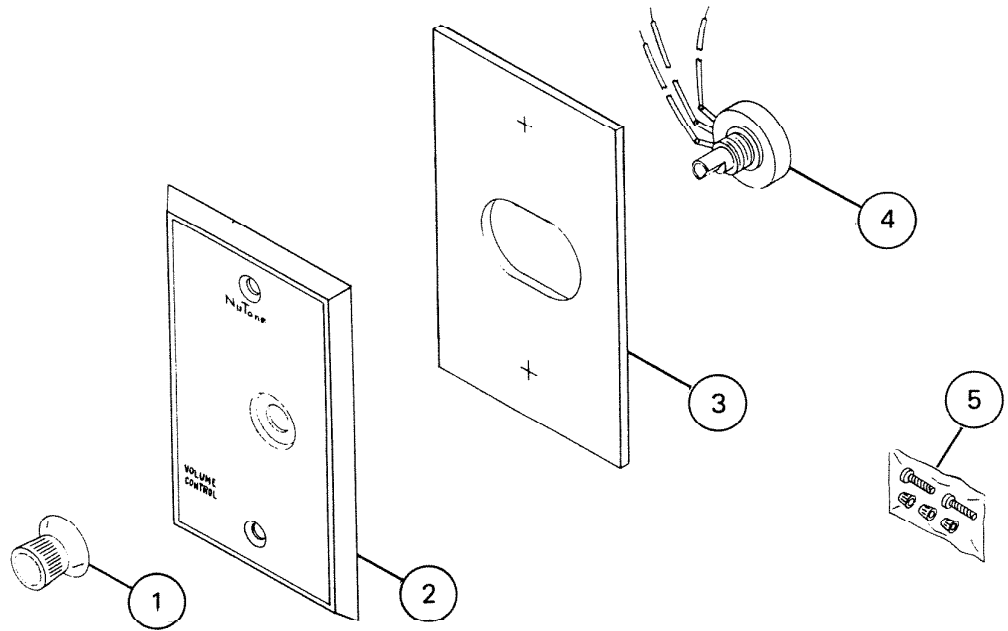


PARTS LIST

EFFECTIVE DATE	MODEL	PRODUCT GROUP
NOV 1988	IC-501 IC-501W NEW	ELECTRONICS



REF	ORIGINAL PART NO	* PART DESCRIPTION	MODEL USED ON	CURRENT REPLACEMENT PART NO
1	39089	KNOB	IC-501 IC-501W	39089-000
2	35585	WALL PLATE	IC-501 IC-501W	35585-000
3	35586	GASKET-WALL PLATE	IC-501W	35586-000
4	34796	POTENTIOMETER	IC-501 IC-501W	34796-000
5	43359	HARDWARE ASSEMBLY	IC-501 IC-501W	43359-000

↑
NOTE: Always order by
current part number