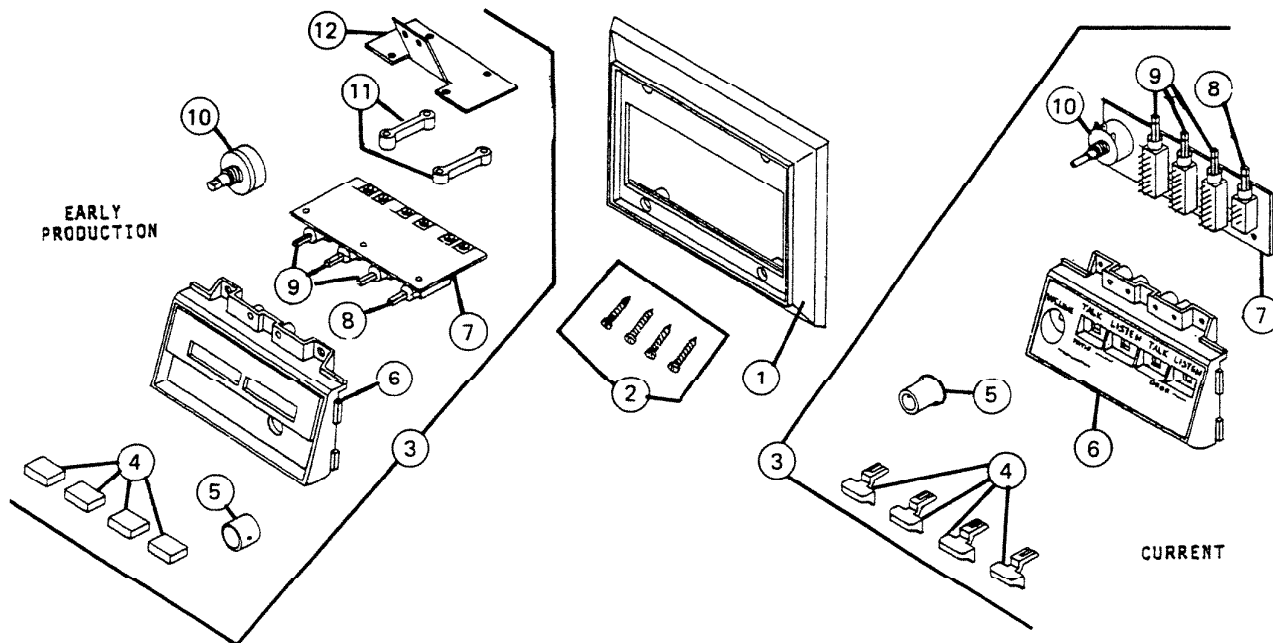


PARTS LIST

EFFECTIVE DATE	MODEL	PRODUCT GROUP
NOV. 1981	IC-41, ICA-41 REVISED	ELEC-TRONICS



REF.	ORIGINAL PART NO.	* PART DESCRIPTION	MODEL USED ON	CURRENT REPLACEMENT PART NO.
1	38571	BEZEL	IC-41 ICA-41	38571-000
2	41501	ENVELOPE ASSEMBLY (MTG. SCREWS)	IC-41 ICA-41	41501-000
3	69804	CONTROL ASSEMBLY	IC-41	1496A-000
	1496A		ICA-41	
4	31878	PUSHBUTTON/OPERATING ARM (1) 4 - REQUIRED	IC-41	31878-000
	38729		ICA-41	38729-000
5	39344	KNOB VOLUME	IC-41	39402-000
	39557		ICA-41	39557-000
6	38560	CONTROL INSERT	IC-41	38560-000
	38972		ICA-41	38972-000
7	41598	PC BOARD ASSEMBLY/BACKET	IC-41	41598-000
	42554		ICA-41	42554-000

NuTone

(PLEASE SEE OTHER SIDE)

NOTE: Always order by current part number.

PL - IC-41, ICA-41 Rev. 9/81

REF.	ORIGINAL PART NO	* PART DESCRIPTION	MODEL USED ON	CURRENT REPLACEMENT PART NO.
8	34637	PUSH SWITCH D.P.D.T.	IC-41 ICA-41	34637-000
9	34636	PUSH SWITCH 4 P.D.T. (1) 3 - REQUIRED	IC-41 ICA-41	34636-000
10	34063	POTENTIOMETER	IC-41	34063-000
	34059		ICA-41	34059-000
11	39088	SPACER (1) 2 - REQUIRED	IC-41	39088-000
12	38572	BRACKET – PC BOARD	IC-41	38572-000