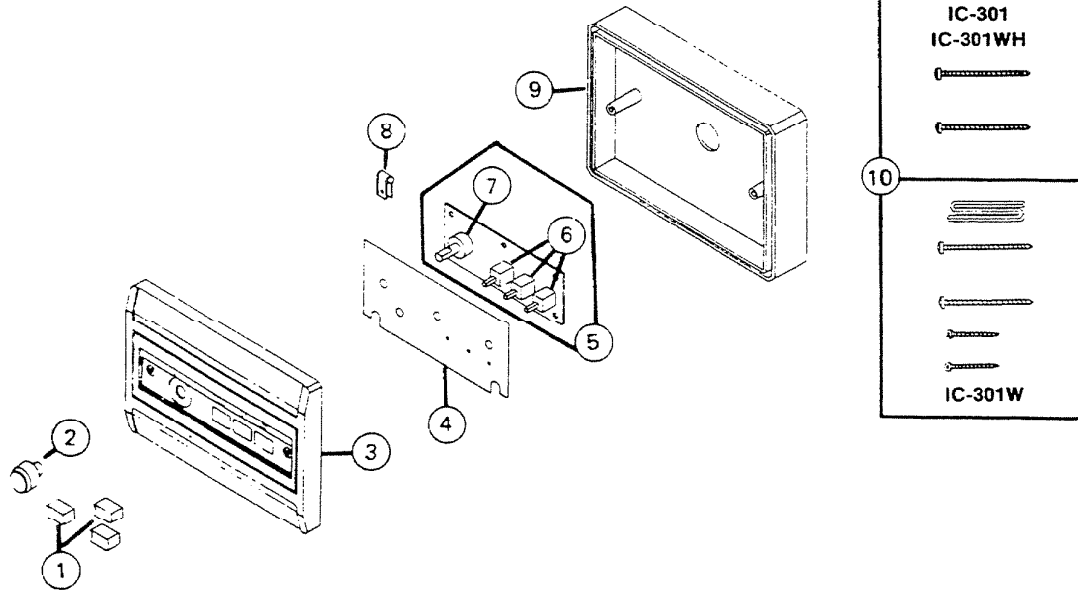


PARTS LIST

EFFECTIVE DATE	MODEL	PRODUCT GROUP
MAY 1989	IC-301WH NEW IC-301 IC-301W REVISED	ELECTRONICS



REF. NO.	ORIGINAL PART NO.	*PART DESCRIPTION	MODEL USED ON	CURRENT REPLACEMENT PART NO.
1	35473	SWITCH KNOB	All Models	35473-000
2	35506	VOLUME KNOB	IC-301	35506-000
	35827		IC-301WH	35827-000
3	35479	REMOTE CONTROL PANEL	IC-301	35479-000
	35832		IC-301WH	35832-000
4	35497	RAIN SHIELD	IC-301W	35497-000
5	42929	P.C. BOARD ASSEMBLY		42929-000
6	34698	MOMENTARY SWITCH	All Models	34698-000
7	34059	POTENTIOMETER		34059-000
8	31967	CABLE CLAMP	IC-301W	31967-000
9	39890	SURFACE MOUNTING BEZEL		39890-000
10	42899	HARDWARE ASSEMBLY	IC-301	42899-000
	42966		IC-301WH	
			IC-301W	42966-000