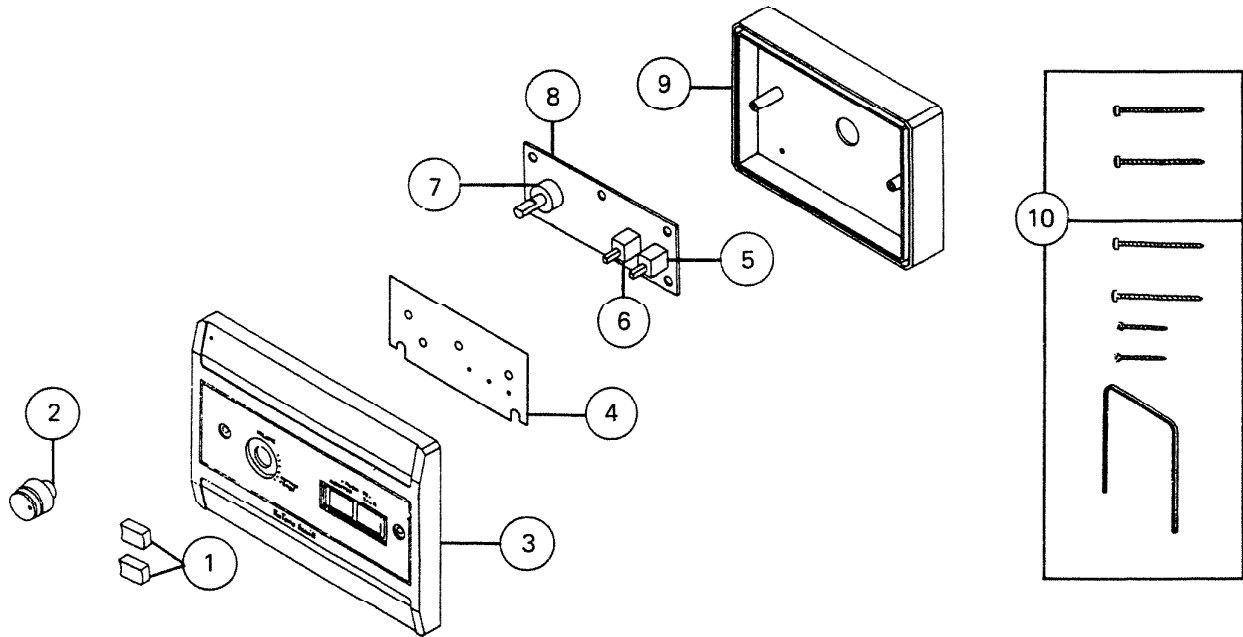


# PARTS LIST

<b>EFFECTIVE DATE</b>	<b>MODEL</b>	<b>PRODUCT GROUP</b>
JAN. 1990	IC-201WH NEW IC-201 IC-201W REVISED	ELECTRONICS



REF.	ORIGINAL PART NO.	* PART DESCRIPTION	MODEL USED ON	CURRENT REPLACEMENT PART NO.
1	35473	SWITCH KNOB — Pushbutton (2)	All Models	0553A-000
2	35478	VOLUME KNOB	IC-201 IC-201W	35506-000
	35827		IC-201WH	35827-000
3	35480	REMOTE CONTROL PANEL	IC-201 IC-201W	35480-000
	30884		IC-201WH	30884-000
4	35497	RAIN SHIELD	IC-201W	35497-000
5	34697	LATCHING SWITCH		34697-000
6	34698	MOMENTARY SWITCH	All Models	34698-000
7	34059	POTENTIOMETER — Volume Control		34059-000
8	42928	P.C. BOARD ASSEMBLY		42928-000
9	39890	SURFACE MOUNTING BEZEL	IC-201W	39890-000
10	42899	HARDWARE ASSEMBLY	IC-201 IC-201WH	42899-000
	42966		IC-201W	42966-000

**NuTone**

↑  
**NOTE: Always order by current part number.**