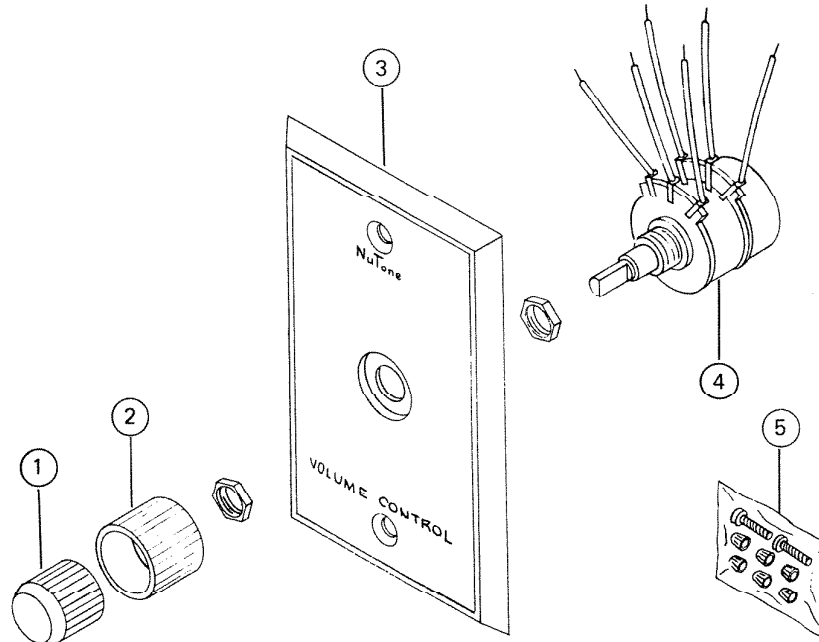


PARTS LIST

EFFECTIVE DATE	MODEL	PRODUCT GROUP
MAY 1989	IC-1000	ELECTRONICS



REF. NO.	ORIGINAL PART NO.	*PART DESCRIPTION	CURRENT REPLACEMENT PART NO.
1	39608	INSIDE KNOB	39608-000
2	39607	OUTSIDE KNOB	39607-000
3	35585	WALL PLATE	35585-000
4	34075	POTENTIOMETER—Double Section	34075-000
5	43360	ENVELOPE ASSEMBLY	43360-000

NuTone

NOTE: Always order by current part number.