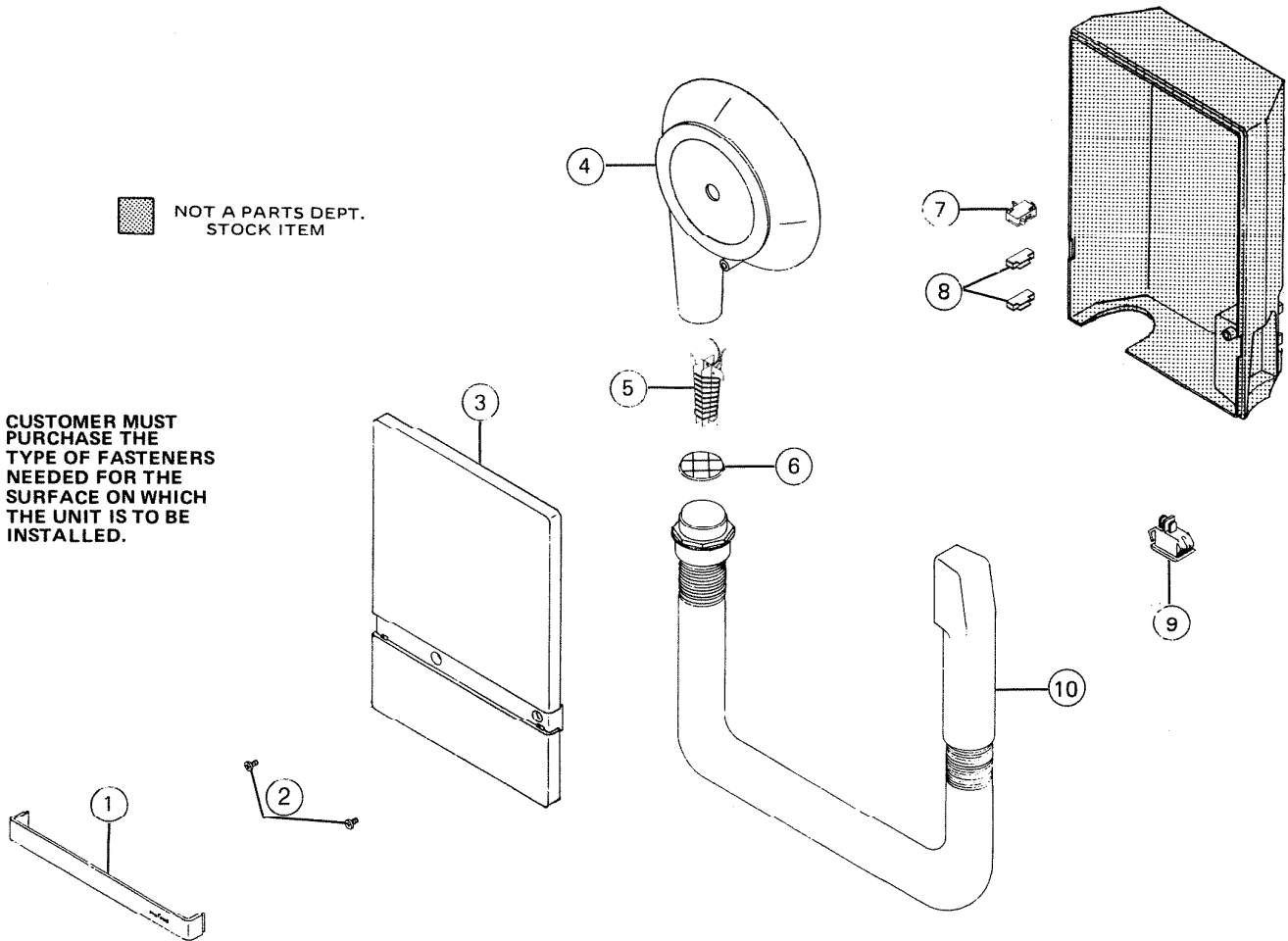


PARTS LIST

EFFECTIVE DATE	MODEL	PRODUCT GROUP
MAY 1989	HD-100S NEW HD-100 REVISED	APPLIANCE

 NOT A PARTS DEPT. STOCK ITEM

CUSTOMER MUST PURCHASE THE TYPE OF FASTENERS NEEDED FOR THE SURFACE ON WHICH THE UNIT IS TO BE INSTALLED.



REF. NO.	ORIGINAL PART NO.	*PART DESCRIPTION	CURRENT REPLACEMENT PART NO.
1	8610A	TRIM STRIP	8610A-000
2	2761A	FRONT PANEL SCREW SET (2)	8811A-000
3	8609A	HOUSING LID	8609A-000
4	8787A	BLOWER WHEEL/MOTOR/ELEMENT ASSEMBLY	8787A-000
5	8789A	HEATING ELEMENT	8789A-000
6	8788A	SAFETY SCREEN	8788A-000
7	8786A	MICA OFF/ON SWITCH—Early Version—HD-100	8786A-000
8	8790A	MAGNETIC CATCH (1)-2 Required	8790A-000
9	8308A	ROCKER SWITCH	8308A-000
10	8608A	HOSE ASSEMBLY W/NOZZLE	8608A-000
12	2762A	BLOWER WHEEL	2762A-000