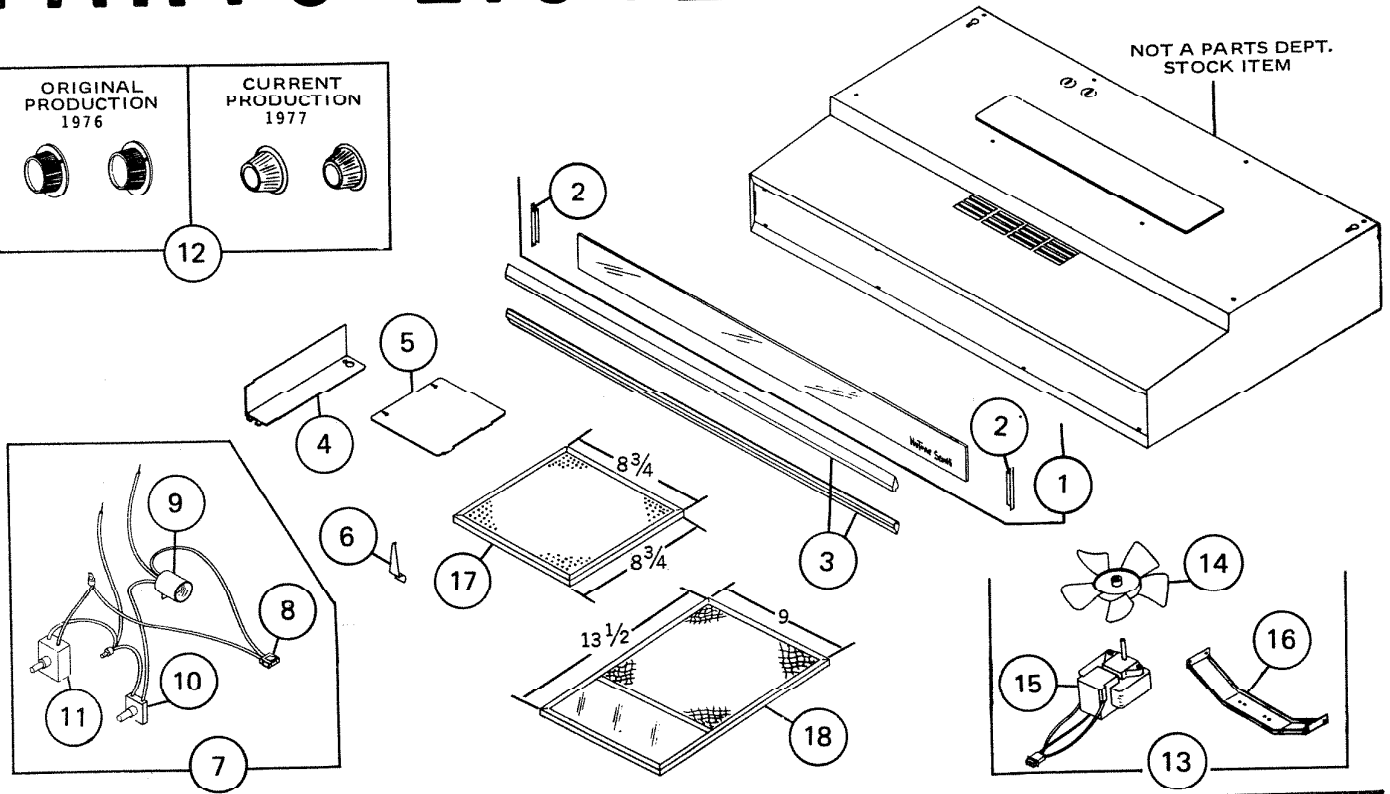
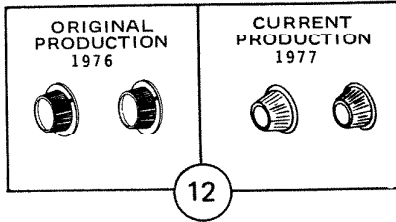


# PARTS LIST

EFFECTIVE DATE	MODEL	PRODUCT GROUP
DEC. 1979	GV-25 REVISED 30" & 36"	HOOD



REF.	ORIGINAL PART NO.	* PART DESCRIPTION	MODEL USED ON	CURRENT REPLACEMENT PART NO.
1	69193	GLASS FRONT	30"	2882A-000
	69194		36"	2883A-000
2	67273	END TRIM KIT	GV-25	69103-000
3	67209	FRONT TRIM -1 (For Top or Bottom)	30"	67209-014
	67210		36"	67210-014
4	66942	SWITCH COVER PLATE	GV-25	66942-005
5	66943	WIRING COVER	GV-25	66943-005
6	66944	FILTER CLIP	GV-25	66944-000
7	66992	WIRING HARNESS ASSY.	GV-25	66992-000
8	27240	PLUG HOUSING ASSY.	GV-25	1259A-000
9	18775	LAMP SOCKET	GV-25	18775-000
(PLEASE SEE OTHER SIDE)				

**NuTone Division**  
**Scovill**

NOTE: Always order by current part number.

REF.	ORIGINAL PART NO.	* PART DESCRIPTION		MODEL USED ON	CURRENT REPLACEMENT PART NO.
10	17482	LIGHT SWITCH		GV-25	17484-000
11	26546	FAN SPEED CONTROL		GV-25	26546-000
12	69140	KNOB SET	Original Production 1976	GV-25	69140-000
	2899A		Current Production 1977		2899A-000
13	2890A	"B" UNIT ASSY		GV-25	2890A-000
14	67123	FAN BLADE		GV-25	68293-000
15	27869	MOTOR		GV-25	27869-000
16	27850	MOTOR MOUNTING BRACKET		GV-25	27850-000
17	27862	CARBON FILTER	8 3/4" x 8 3/4"	GV-25	27243-900
18	66770	ALUMINUM FILTER	9" x 13 1/2"	GV-25	66770-000