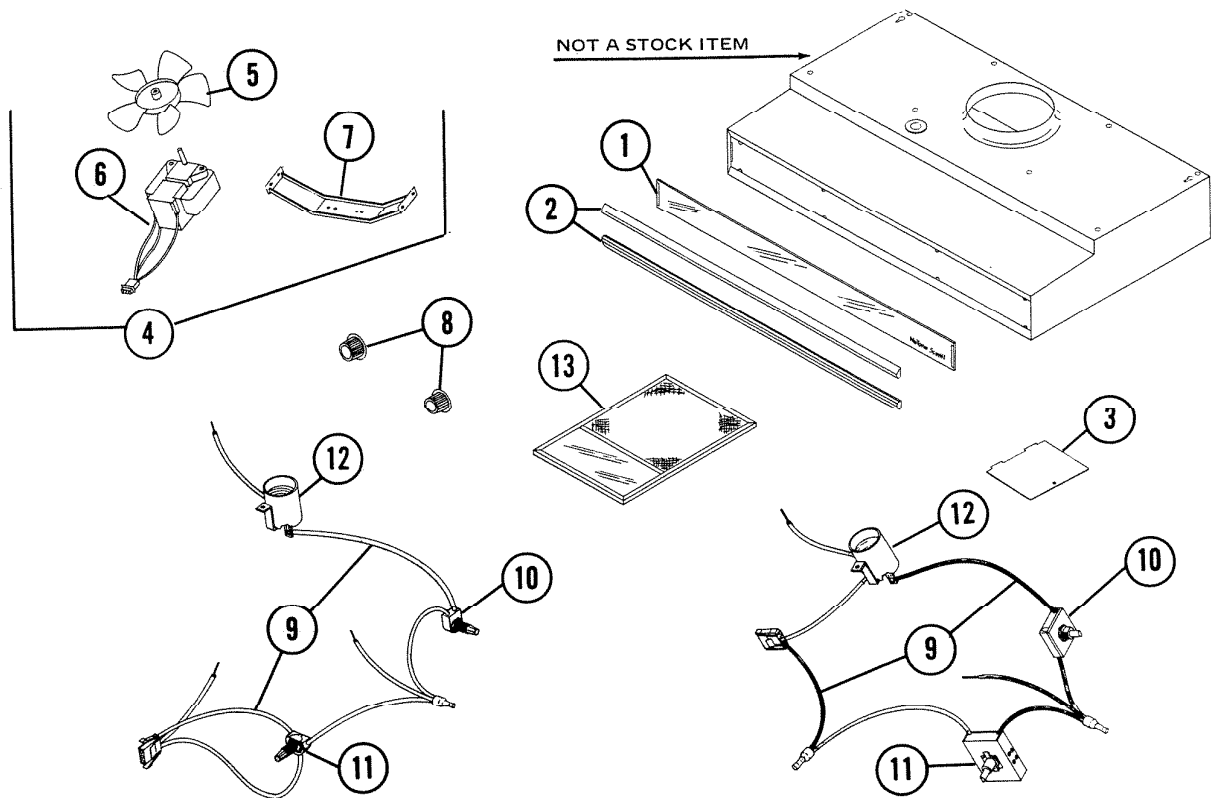


PARTS LIST

EFFECTIVE DATE	MODEL	PRODUCT GROUP
MARCH 1977	GV20, GV20T 30" and 36"	HOOD



REF.	ORIGINAL PART NO.	* PART DESCRIPTION	MODEL USED ON	CURRENT REPLACEMENT PART NO.
1	66762-000	GLASS PANEL	30"	66762-000
	66763-000		36"	66763-000
2	67209-000	FRONT TRIM - Top or Bottom	30"	67209-014
	67210-000		36"	67210-014
3	21981-000	COVER	GV-20, GV-20T	21981-005
4	1282A-000	"B" UNIT (MOTOR BLADE MOTOR BRKT.)	GV-20	1282A-000
	1281A-000		GV-20T	1281A-000
5	67123-000	FAN BLADE	GV-20	67123-000
	27860-000		GV-20T	27860-000
6	27869-000	MOTOR 7/32" SHAFT	GV-20	27869-000
	27898-000		GV-20T	27898-000
7	27850-000	MOTOR BRKT.	GV-20, GV-20T	27850-000
8	12405-000	KNOB (1) 2 - REQUIRED	GV-20	12405-000
PLEASE SEE OTHER SIDE				

NuTone Division

Order Parts From:
Parts Department c/o NuTone
P.O. Box 27 • Cincinnati, Ohio 45227

NOTE: Always order by current part number.

