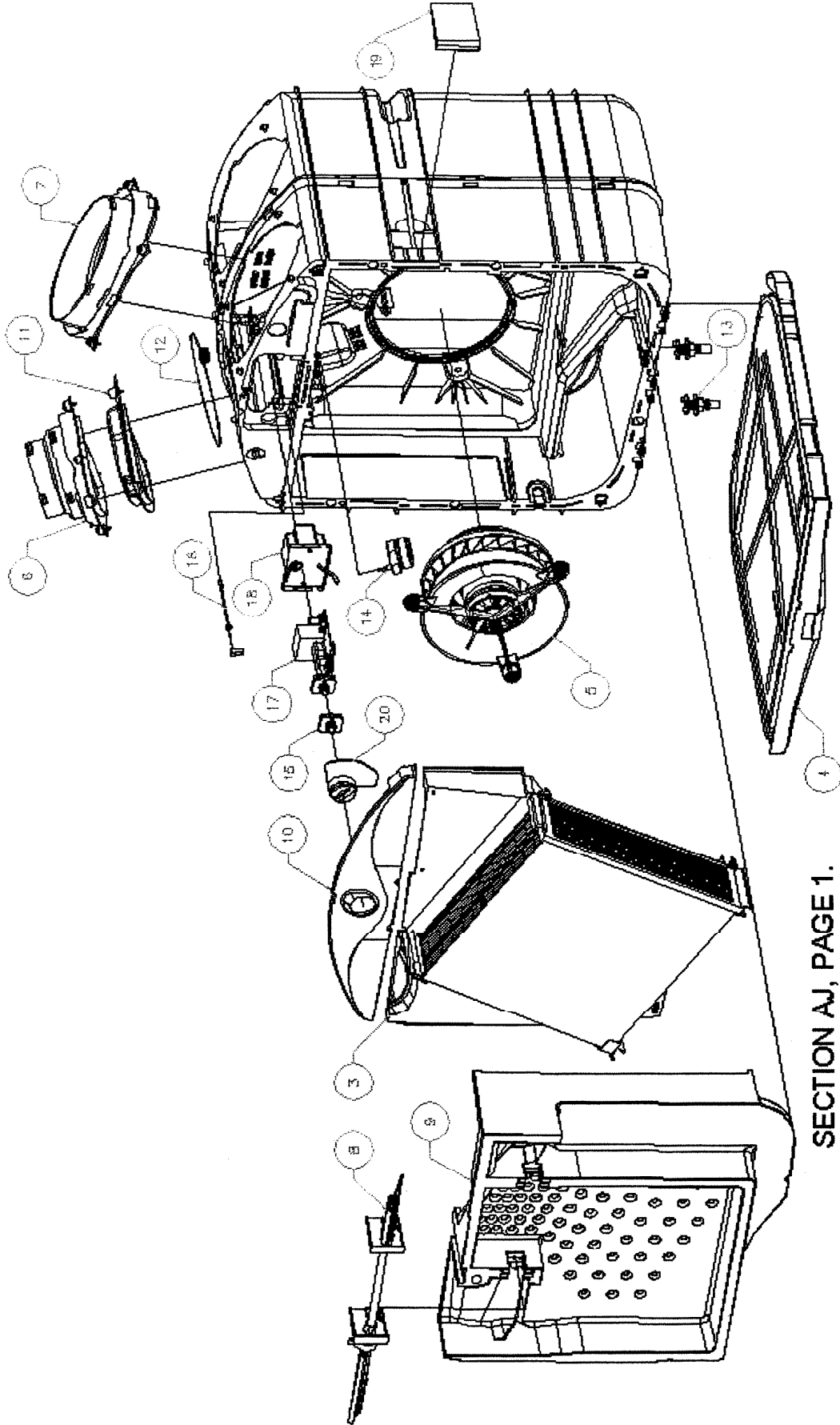




VESTMAR

3D DRAWING GUARDIAN PLUS SERIES

2001/11/06



SECTION AJ, PAGE 1.

			Guardian Plus by Broan		
06/11/01 Please take note of the model and serial number of the unit before ordering any parts.			GSFH1K) G100011004173 to date	GSVH1K G200011004250 to date	GSHH3K G300011004175 to date
no	Qty	Description	no	no	no
3	1	HEAT RECOVERY CORE KIT	N-D	N-D	14027
4	1	DOOR ASSEMBLY BLUE	N-D	N-D	N-D
4	1	DOOR ASSEMBLY GREY	14376	14376	14376
5	1	MOTOR ASSEMBLY	14570	13937	13937
6	1	PORT KIT 5" / 6"	N-D	14378	14378
7	1	PORT KIT 8"	14379	14379	14379
8	1	DAMPER ASSEMBLY	N-D	14380	N-D
9	1	AIR DIFFUSER	N-D	14577	N-D
10	1	FACIA KIT	14382	14382	14382
11	1	CAP PORT 5" KIT	14041	N-D	N-D
12	1	DAMPER WIRE KIT	N-D	N-D	14576
13	1	DRAIN CONNECTOR KIT	N-D	N-D	14578
14	1	DAMPER MOTOR KIT	N-D	N-D	14571
15	1	SWITCH 3 POSITION KIT	14572	14572	14572
16	1	THERMISTOR	N-D	N-D	14575
17	1	PC BOARD	14383	14383	14384
18	1	TRANSFORMER KIT	14573	14573	14573
19	1	DOOR LATCH KIT	04410	04410	04410
20	1	KNOB SWITCH 3 POSITION	04411	04411	04411
-	1	KNOB WALL CONTROL	05129	05129	05129
-	1	PULL TAB FILTER	05248	05248	05248