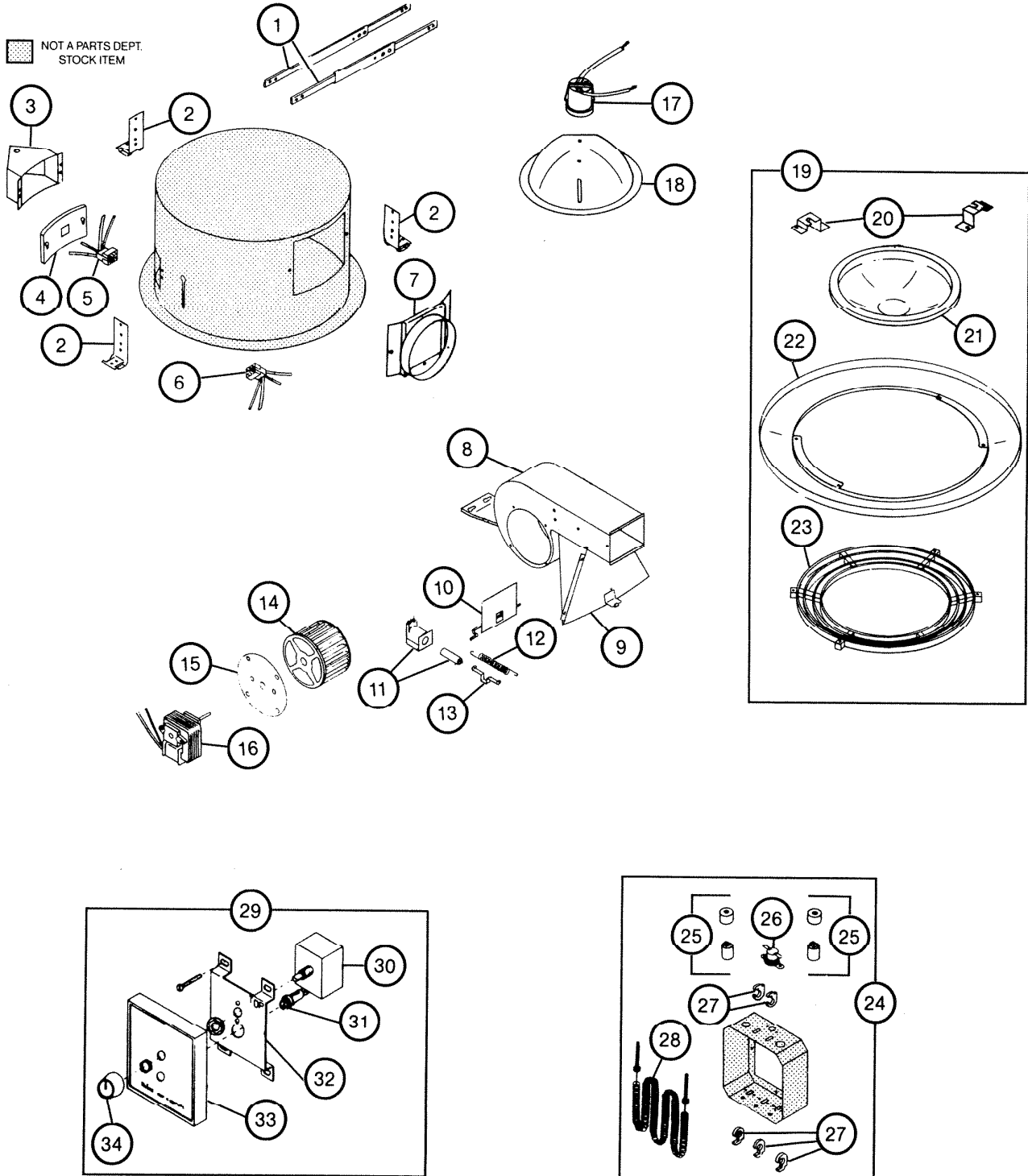


PARTS LIST

EFFECTIVE DATE	MODEL	PRODUCT GROUP
JAN. 1990	9092 G9092 REVISED	HEATER



REF.	ORIGINAL PART NO.	*PART DESCRIPTION			CURRENT REPLACEMENT PART NO.
1	13306	HANGER BAR SET			13306-000
2	10949	CEILING MOUNTING (1)–3 Required			53194-000
3	11320	OUTLET BOX			11320-000
4	27508	OUTLET BOX COVER			27508-000
5	27515	RECEPTACLE HOUSING-PIN ASSEMBLY–male			27515-000
6	64601	SOCKET ASSEMBLY			VOID NOT AVAILABLE
7	27518	DUCT PLATE ASSEMBLY			
8	64590	BLOWER SCROLL ASSEMBLY			
9	27582	HEAT DISCHARGE ASSEMBLY			
10	27579	LOUVER ASSEMBLY			27579-000
11	64595	SOLENOID			27588-000
12	64605	SPRING			64605-000
13	27589	SOLENOID LINKAGE			27589-000
14	63677	BLOWER WHEEL			66142-000
15	63673	MOTOR PLATE ASSEMBLY			57766-000
16	64586	MOTOR			58000-000
17	27550	LIGHT SOCKET ASSEMBLY			69296-000
18	27554	REFLECTOR			27554-206
19	27559	GUARD ASSEMBLY	w/Silver Ceiling Ring	9092	56704-000
	27606		w/Gold Ceiling Ring	G9092	27606-000
20	27562	GUARD MOUNTING BRACKET (1)–2 Required			27562-038
21	27561	LENS			27561-000
22	27558	CEILING RING	Silver	9092	27558-014
			Gold	G9092	27606-000
23	27560	GUARD			0474A-000

↑

NOTE: Always order by current part number.

REF.	ORIGINAL PART NO.	*PART DESCRIPTION	CURRENT REPLACEMENT PART NO.
24	27544	HEAT BOX ASSEMBLY	27544-000
25	69314	INSULATOR BUSHING SET--(1) Male (1) Female	69314-000
26	27548	THERMO PROTECTOR	27548-000
27	27546	ELEMENT SUPPORT (1) 5 Required	27546-000
28	27593	HEATING ELEMENT--1500W	58120-000
29	21441	SWITCH ASSEMBLY COMPLETE	21441-000
30	27612	ROTARY SWITCH	27612-000
31	21447	PILOT LITE	21447-000
32	21445	SWITCH AND PILOT LITE MOUNTING BRACKET	21445-000
33	21442	SWITCH PLATE ASSEMBLY	21442-000
34	21404	KNOB	9052A-000

↑
NOTE: Always order by current part number.

