

EFFECTIVE DATE

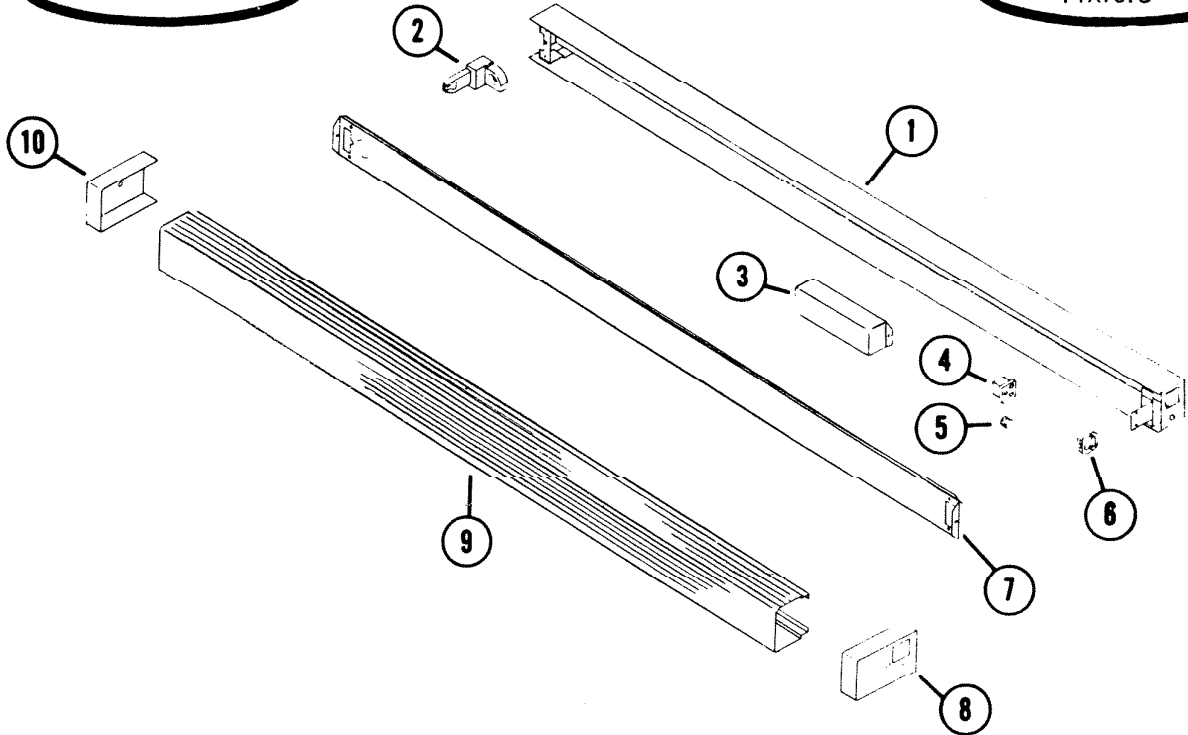
May 1, 1971

# NuTone

## PARTS LIST

MODEL

G-36  
Bathroom Light  
Fixture



REF.	PART NO.	*Part used on other model/s	PART DESCRIPTION
1	91188		Body Assy.
2	90182		Lampholder (starter type)
3	91190		Ballast
4	90878		Out let
5	91191		Switch
6	90730		Lampholder
7	91194		Reflector
8	90265		End Cap Assy. R. H.
9	91195		Light Shield
10	90263		End Cap Assy. L. H.

Order Parts From: PARTS DEPT. C/O

# NuTone

DIVISION