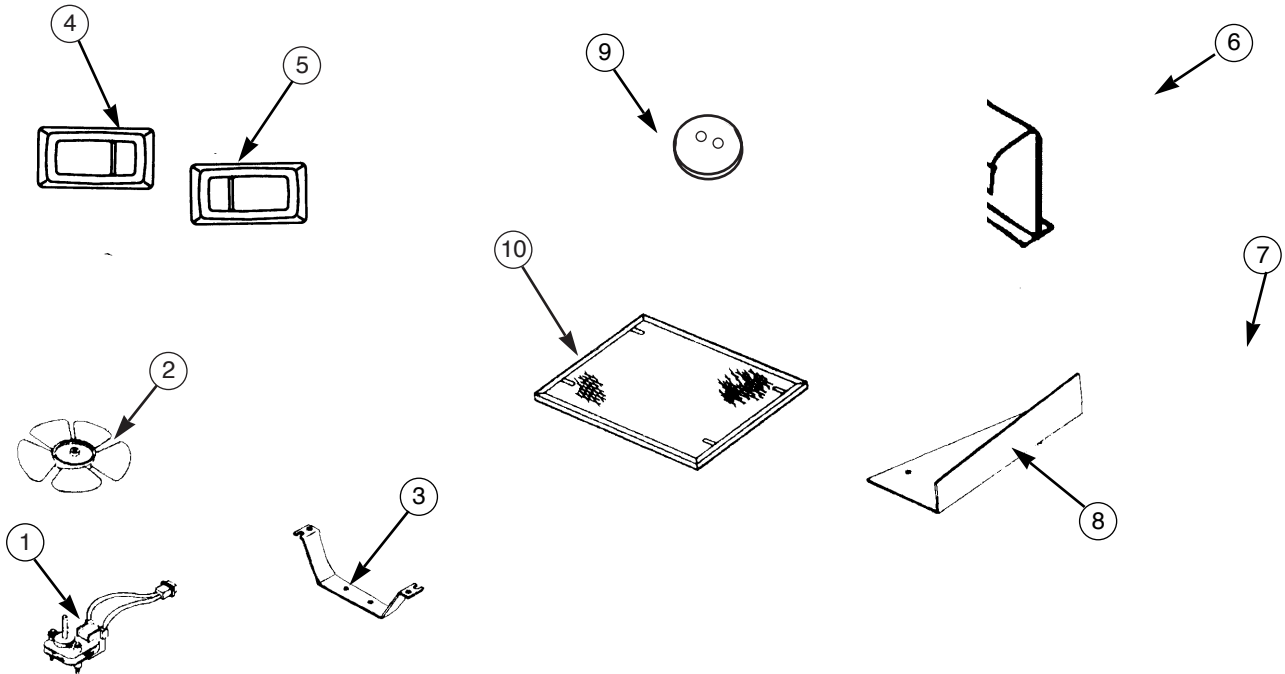


PARTS LIST

EFFECTIVE DATE	MODEL NUMBER	PRODUCT GROUP
MAY 2002	RL5300 & FL5300	RANGE HOODS



REF.	ORIGINAL PART NO.	PART DESCRIPTION	MODEL USED ON	CURRENT REPLACEMENT PART NO.
1	K7296	MOTOR	RL5300 & FL5300	K7296-000
2	K4417	FAN BLADE	RL5300 & FL5300	K4417-000
3	K4421	MOTOR BRACKET	RL5300 & FL5300	K4421-000
4	K4734	FAN SWITCH (WHITE)	RL5300 & FL5300	K4734-000
	K1346	FAN SWITCH (BLACK)	RL5300 & FL5300	K1346-000
	K7319	FAN SWITCH (ALMOND)	RL5300 & FL5300	K7319-000
5	K4735	LIGHT SWITCH (WHITE)	RL5300 & FL5300	K4735-000
	K1347	LIGHT SWITCH (BLACK)	RL5300 & FL5300	K1347-000
	K7317	LIGHT SWITCH (ALMOND)	RL5300 & FL5300	K7317-000
6	K4424	LAMP COVER	RL5300 & FL5300	K4424-000
7	K6601	LAMP HOLDER	RL5300 & FL5300	K6601-000
8	K4423	ELECTRICAL COVER	RL5300 & FL5300	K4423-000
9	K7279	DAMPER (FOAM)	RL5300 & FL5300	K7279-000
10	K6388	FILTER (ALUMINUM)	RL5300 & FL5300	K6388-000

NuTone®

NuTone
 Attn: Parts Department
 4820 Red Bank Road
 Cincinnati, OH 45227-1599
 Phone: (513) 527-5426
 Fax: (513) 527-5173

↑

NOTE: Always order by current part number