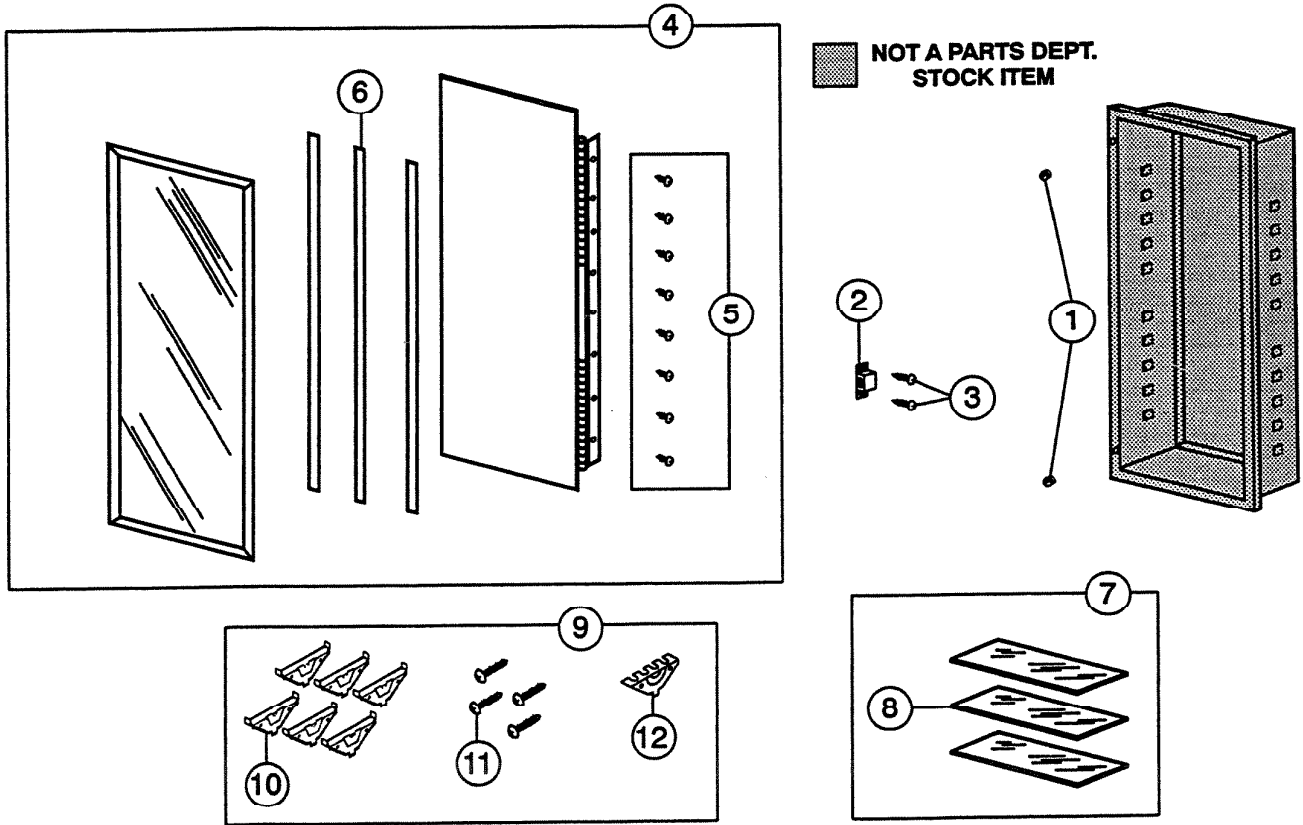


NuTone PARTS LIST

EFFECTIVE DATE	MODEL NUMBER	PRODUCT GROUP
JULY 1993	DT-50 NEW	BATH CABINET



REF.	ORIGINAL PART NO.	*PART DESCRIPTION	CURRENT REPLACEMENT PART NO.
1	90069	BUMPER (2)	2093A-000
2	90011	MAGNETIC CATCH	0952A-000
3	95735	SCREW - 6-18 x 1/2 PH TR HD "A" (2)	2232A-000
4	97338	DOOR ASSEMBLY	97338-000
5	M2108	SCREW - 6-20 x 1/4 PH PAN HD "AB" - 8 required	M2108-000
6	95953	TAPE - Double faced	95953-000
7	96580	SHELF BUNDLE	96580-000

NOTE: Always order by current part number

REF.	ORIGINAL PART NO.	*PART DESCRIPTION	CURRENT REPLACEMENT PART NO.
8	96581	SHELF – 3 required	96581-000
9	90942	HARDWARE ASSEMBLY (See note)	90942-000
10	90589	SHELF SUPPORT – 6 required	90589-000
11	52842	SCREW – 8 x 1¼ PH PAN HD "A" – 4 required	52842-015
12	92264	TOOTHBRUSH HOLDER	92264-000

NOTE: HARDWARE ASSEMBLY CONTAINS:

- (6) Shelf support
- (4) Screws #8 x 1¼ PH PAN HD "A"
- (1) Toothbrush holder

NOTE: Always order by current part number

