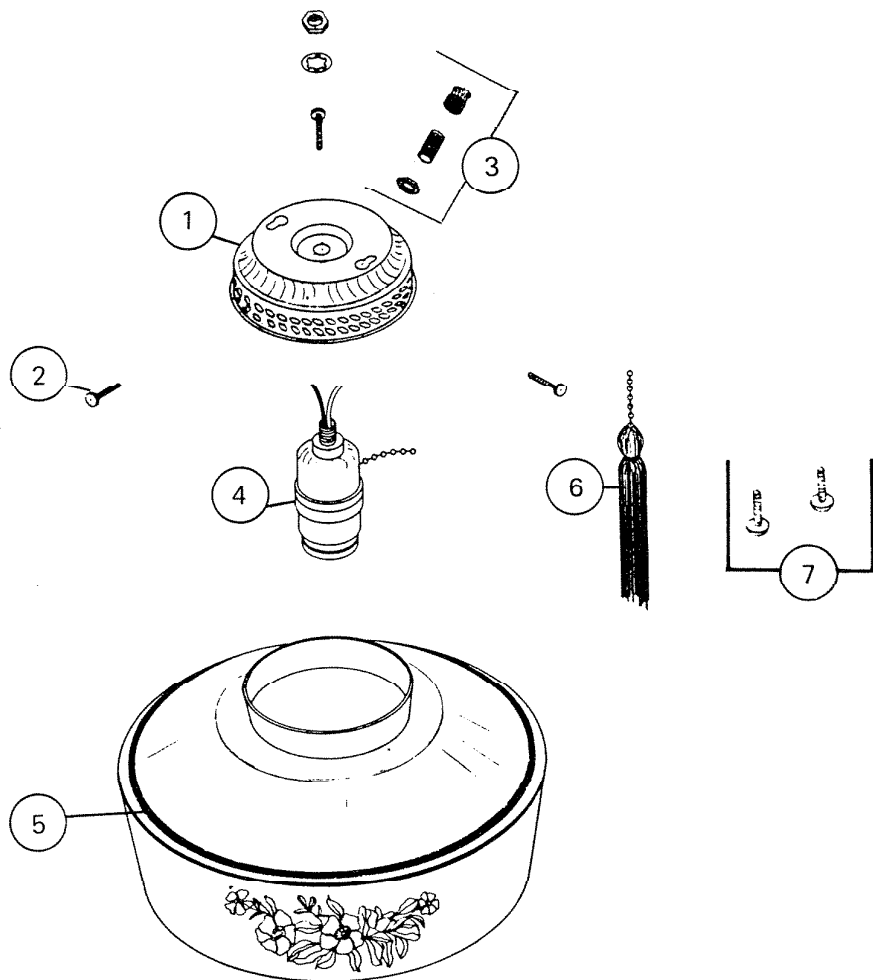


PARTS LIST

EFFECTIVE DATE	MODEL	PRODUCT GROUP
JANUARY 1985	DSLK-1AB, BR "SCHOOLHOUSE" REVISED	PADDLE FAN




REF.	ORIGINAL PART NO.	* PART DESCRIPTION	MODEL USED ON	CURRENT REPLACEMENT PART NO.
1	H0566	LAMP HOLDER	DSLK-1AB	6515A-HAB
			DSLK-1BR	6515A-HPB
2	1356H	THUMB SCREW SET (3)	DSLK-1 AB, BR	1372A-000
3	1353H	CHAIN GUIDE ASSEMBLY	DSLK-1AB	1370A-000
	1357H		DSLK-1BR	1371A-000
4	1358H	LAMP SOCKET ASSEMBLY	DSLK-1 AB, BR	1365A-000
(PLEASE SEE OTHER SIDE)				

NuTone

PRINTED IN U.S.A.

↑

NOTE: Always order by current part number.

REF.	ORIGINAL PART NO.	* PART DESCRIPTION	MODEL USED ON	CURRENT REPLACEMENT PART NO.
5	H7639	SHADE	DSLK-1 AB, BR	6525A-000
6	H6219	TASSEL	DSLK-1 AB, BR	68894-000
7	H0588	MOUNTING SCREW PACK	DSLK-1 AB, BR	6521A-000
				<div data-bbox="1218 493 1453 598" style="text-align: center;">  NOTE: Always order by current part number. </div>