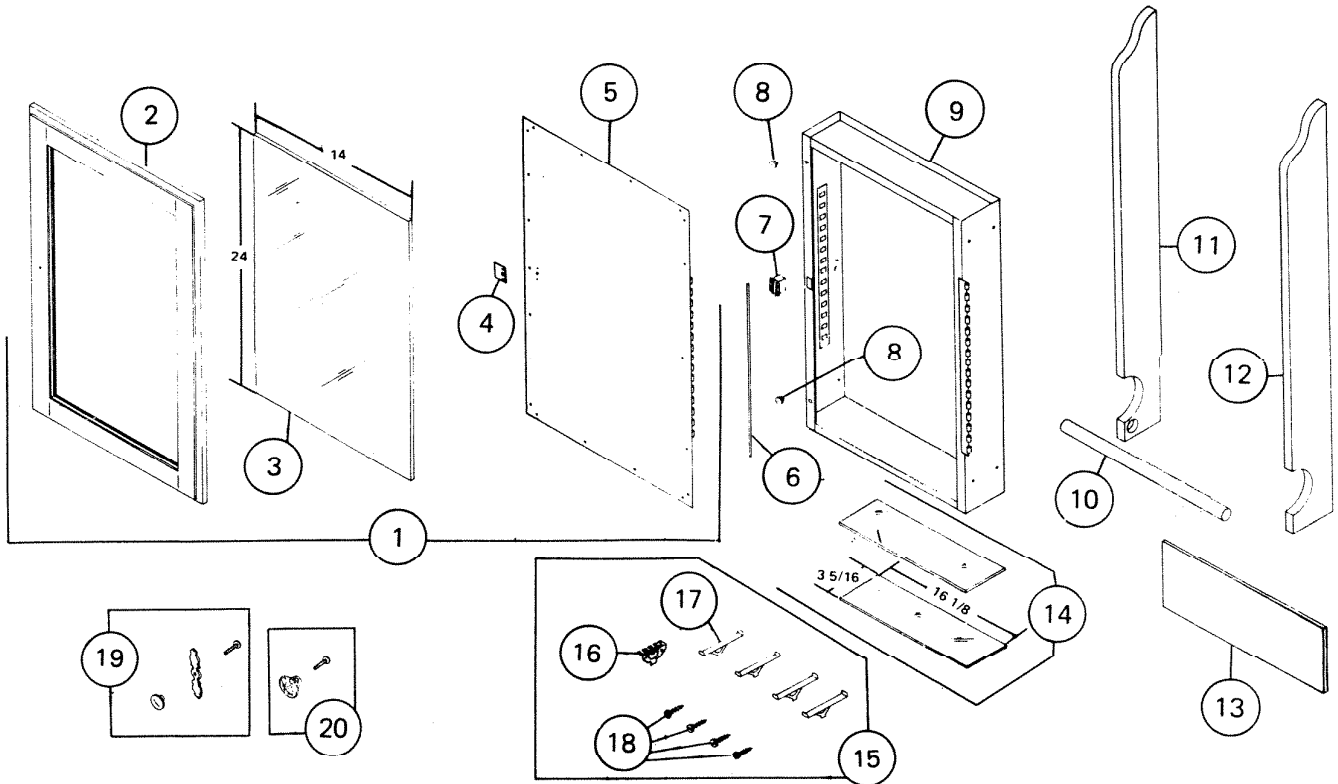


# PARTS LIST

EFFECTIVE DATE	MODEL	PRODUCT GROUP
APRIL 1980	DS-113, DS-114 DS-115 REVISED	BATH CABINET



REF.	ORIGINAL PART NO.	* PART DESCRIPTION	MODEL USED ON	CURRENT REPLACEMENT PART NO.	
1	2128A	DOOR ASSEMBLY COMPLETE	DARK OAK	DS-113	2128A-000
	2129A		ANTIQUE WHITE	DS-114	2129A-000
	2156A		HONEY OAK	DS-115	2156A-000
2	94702	FRAME	DARK OAK	DS-113	94678-A03
	94703		ANTIQUE WHITE	DS-114	94678-A01
	94678		HONEY OAK	DS-115	94678-A08
3	93058	MIRROR 1/4" x 14" x 24"	DS-113, DS-114, DS-115	94850-000	
4	92150	STRIKE PLATE	DS-113, DS-114, DS-115	92150-000	
5	94698	DOOR & HINGE ASSEMBLY	DS-113, DS-114, DS-115	94698-206	
		(PLEASE SEE OTHER SIDE)			

**NuTone Division**

NOTE: Always order by current part number.

PL-DS-113, DS-115

REF.	ORIGINAL PART NO.	* PART DESCRIPTION		MODEL USED ON	CURRENT REPLACEMENT PART NO.
6	90075	HINGE PIN		DS-113, DS-114, DS-115	90075-000
7	90916	MAGNETIC CATCH		DS-113, DS-114, DS-115	90916-000
8	90069	BUMPER SET		DS-113, DS-114, DS-115	2093A-000
9	94686	BODY ASSEMBLY		DS-113, DS-114, DS-115	94686-206
10	94693	DOWEL	DARK OAK	DS-113	94693-A04
	94693		ANTIQUE WHITE	DS-114	94693-A02
	94693		HONEY OAK	DS-115	94693-A11
11	94691	SIDE L.II.	DARK OAK	DS-113	94691-A03
	94691		ANTIQUE WHITE	DS-114	94691-A01
	94691		HONEY OAK	DS-115	94691-A11
12	94690	SIDE R.H.	DARK OAK	DS-113	94690-A03
	94690		ANTIQUE WHITE	DS-114	94690-A01
	94690		HONEY OAK	DS-115	94690-A11
13	94692	BACK BOARD	DARK OAK	DS-113	94692-A04
	94692		ANTIQUE WHITE	DS-114	94692-A02
	94692		HONEY OAK	DS-115	94692-A11
14	94710	SHELF 1/8" x 3 5/16" x 16 1/8"	ONE	DS-113, DS-114, DS-115	94710-000
	94709		SET OF 2	DS-113, DS-114, DS-115	94709-000
15	92266	HARDWARE SET		DS-113, DS-114, DS-115	92266-000
16	92264	TOOTHBRUSH HOLDER		DS-113, DS-114, DS-115	92264-000
17	90589	SHELF SUPPORT (1)		DS-113, DS-114, DS-115	90589-000
18	69781	SCREW SET (6)		DS-113, DS-114, DS-115	69781-000
19	2150A	KNOB, BACKPLATE W/SCREW		DS-113, DS-115	2150A-000
20	94708	KNOB W/SCREW		DS-114	2200A-000