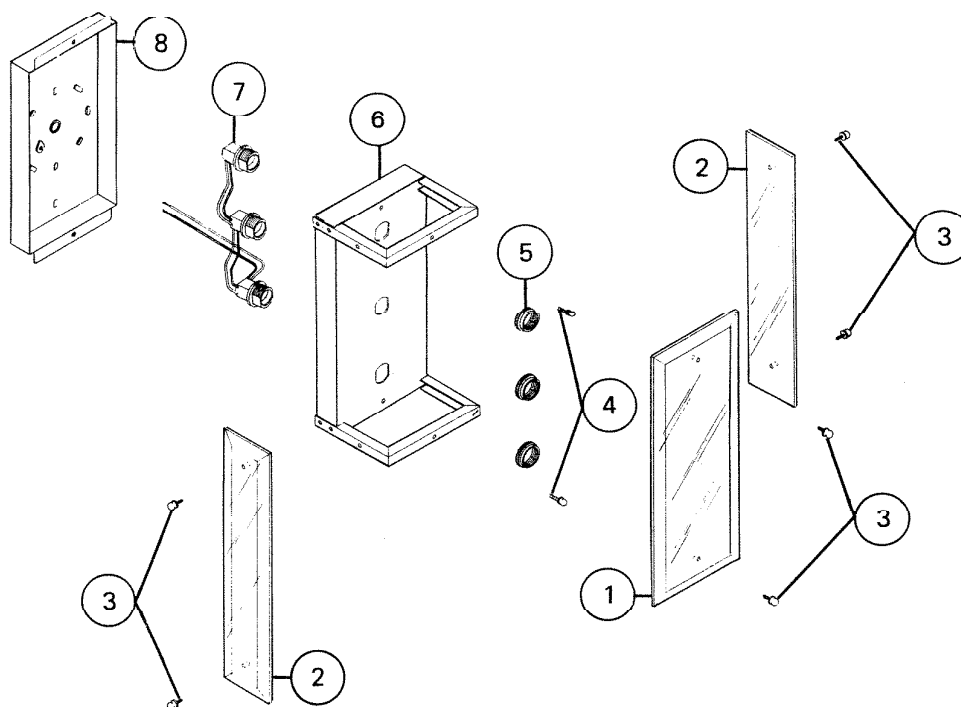


PARTS LIST

EFFECTIVE DATE	MODEL	PRODUCT GROUP
JAN. 1991	DL-598 PB, PC REVISED	BATH LIGHTING



REF.	ORIGINAL PART NO.	* PART DESCRIPTION	MODEL USED ON	CURRENT REPLACEMENT PART NO.	
1	57539	BEVELED GLASS - FRONT	ALL	57539-000	
2	57550	BEVELED GLASS - SIDE (1)	MODELS	57550-000	
3	57536	SCREW BALL (6) - FOR GLASS	BRASS	DL-598PB	57551-000
			CHROME	DL-598PC	57552-000
4	57537	SCREW BALL (1) - 2 Required For Light Bar	BRASS	DL-598-PB	57537-048
			CHROME	DL-598PC	57537-001
5	54128	SHOULDER NUT (1) - 3 Required	BRASS	DL-598PB	54128-048
			CHROME	DL-598PC	54128-001
6	57544	LIGHT BAR and GLASS HOLDER ASSY.	BRASS	DL-598PB	57544-000
	57545		CHROME	DL-598PC	57545-000
7	57534	SOCKET HARNESS	ALL	57534-000	
8	57535	MOUNTING BASE	MODELS	57535-000	

NOTE: Always order by current part number.