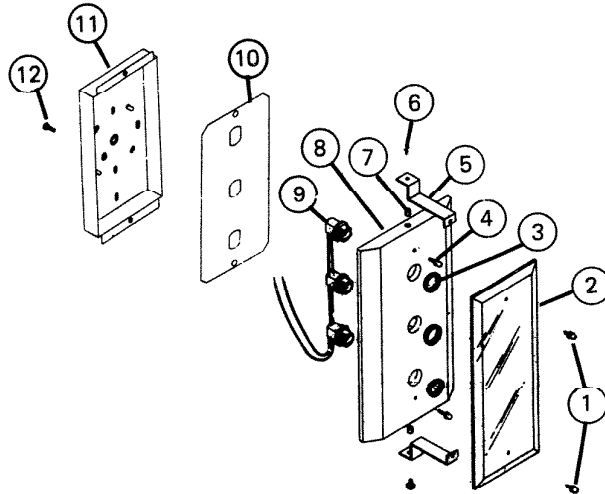


PARTS LIST

EFFECTIVE DATE	MODEL	PRODUCT GROUP
APRIL 1985	DL-596DO,HO NEW	BATH LIGHTING



REF.	ORIGINAL PART NO.	* PART DESCRIPTION		MODEL USED ON	CURRENT REPLACEMENT PART NO.
1	57536	SCREW - BALL (1) 6-32X3/8	AB	DL-596DO	57536-027
	57536		PB	DL-596HO	57536-048
2	57539	BEVELED GLASS		DL-596 DO,HO	57539-000
3	54128	SHOULDER NUT	AB	DL-596DO	54128-027
	54128		PB	DL-596HO	54128-048
4	57537	SCREW - BALL (1) 6-32X1/2	AB	DL-596DO	57537-027
	57537		PB	DL-596HO	57537-048
5	57538	BRACKET - GLASS	AB	DL-596DO	57538-H27
	57538		PB	DL-596HO	57538-H48
6	52818	SCREW (1) 8-32X3/8	AB	DL-596DO	52818-027
	52818		PB	DL-596HO	52818-048
7	35516	THREADED INSERT		DL-596 DO,HO	35516-000
8	57532	WOOD BACKPLATE		DL-596DO	57532-A12
	57532			DL-596HO	57532-A08
9	57534	SOCKET HARNESS (PLEASE SEE OTHER SIDE)		DL-596 DO,HO	57534-000

NuTone

PRINTED IN U.S.A.

NOTE: Always order by current part number.

REF	ORIGINAL PART NO.	PART DESCRIPTION	MODEL USED ON	CURRENT REPLACEMENT PART NO.
10	57533	FLASH BACK	DL-596 D0,H0	57533-000
11	57535	MOUNTING BASE	DL-596 D0,H0	57535-000
12	13028	GROUND SCREW	DL-596 D0,H0	13028-000