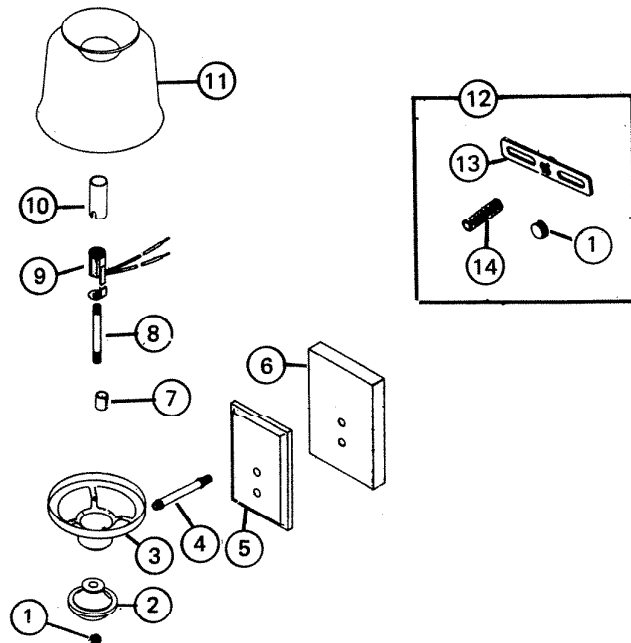


PARTS LIST

EFFECTIVE DATE	MODEL	PRODUCT GROUP
APRIL 1985	DL-572 NEW	BATH LIGHTING



REF.	ORIGINAL PART NO.	* PART DESCRIPTION	MODEL USED ON	CURRENT REPLACEMENT PART NO.
1	57426	BRACKET CAP	DL-572	57426-027
2	57456	SPINDLE	DL-572	57456-A12
3	57454	SHADE RING	DL-572	57454-H27
4	57453	ARM PIPE	DL-572	57453-H27
5	57457	WOOD BACK PLATE	DL-572	57457-A12
6	57458	BACK PLATE	DL-572	57458-000
7	57508	SPACER	DL-572	57508-015
8	57455	NIPPLE - 1/8" IPS	DL-572	57455-015
9	57444	CANDELABRA LAMPHOLDER	DL-572	57444-000
10	57416	CANDLESTICK	DL-572	57416-000
11	57459	GLASS SHADE	DL-572	57459-000
12	57461	HARDWARE ASSEMBLY	DL-572	57461-000
13	L2406	BAR STRAP - 3 7/8 X 1/8 IPS	DL-572	L2406-000
14	57460	NIPPLE-1/8" IPS	DL-572	57460-015

NuTone

PRINTED IN U.S.A.

NOTE: Always order by current part number.