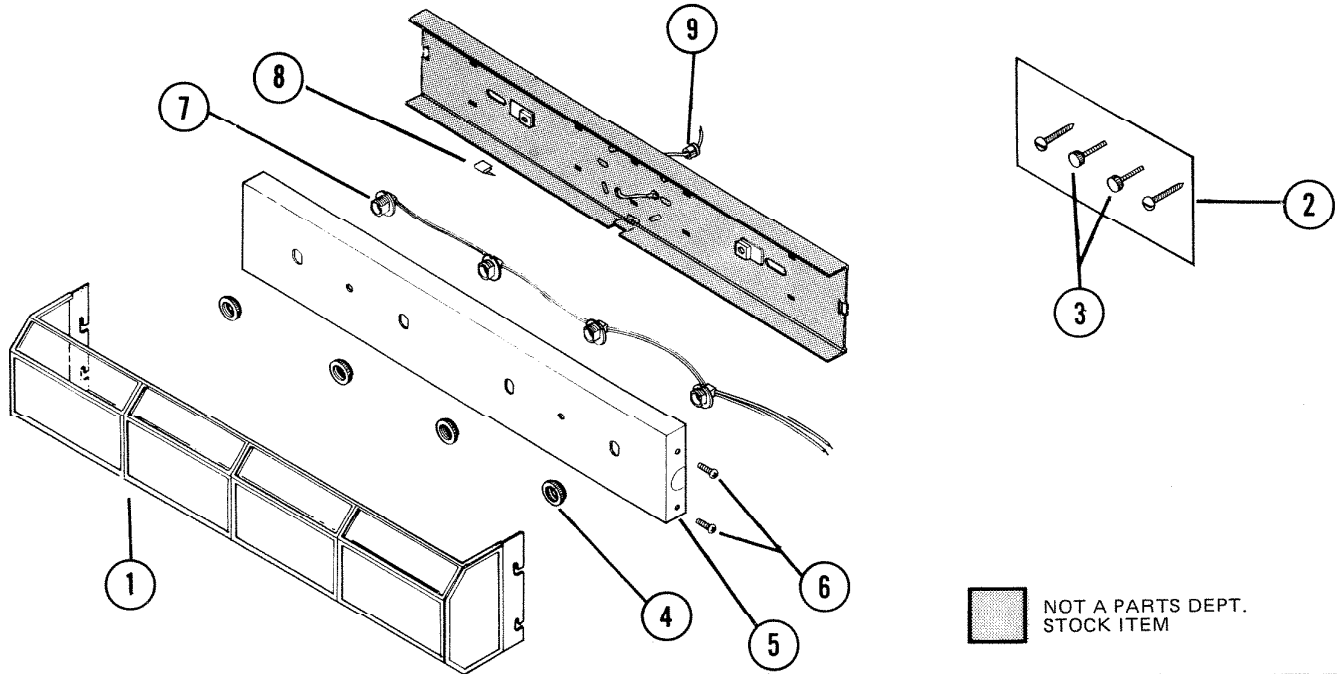


PARTS LIST

EFFECTIVE DATE	MODEL	PRODUCT GROUP
JAN. 1987	DL-557-24 DL-557-30 NEW	LIGHTING



REF.	ORIGINAL PART NO.	* PART DESCRIPTION	MODEL USED ON	CURRENT REPLACEMENT PART NO.
1	L7052	BRASS GLASS COVER	24"	L7052-000
	L7053		30"	L7053-000
2	L7428	HARDWARE SET (Includes Base Mounting Screws & Thumbscrews)	DL-557-24 DL-557-30	L7428-000
3	L6822	THUMBSCREW (1)	DL-557-24 DL-557-30	L6822-048
4	54128	SHOULDER NUT (1)	DL-557-24 DL-557-30	54128-048
5	L7050	COVER	24"	L7050-000
	L7051		30"	L7051-000
6	0926A	COVER MOUNTING SCREWS – SET OF 4	DL 557 24 DL-557-30	0926A-000
7	L7046	SOCKET HARNESS	4 SOCKETS	L7046-000
	L7047		5 SOCKETS	L7047-000
8	L6817	SPEED CLIP	DL-557-24 DL-557-30	L6817-000
9	L2734	BUSHING	DL-557-24 DL-557-30	L2734-000

NuTone

PRINTED IN U.S.A.

NOTE: Always order by current part number.