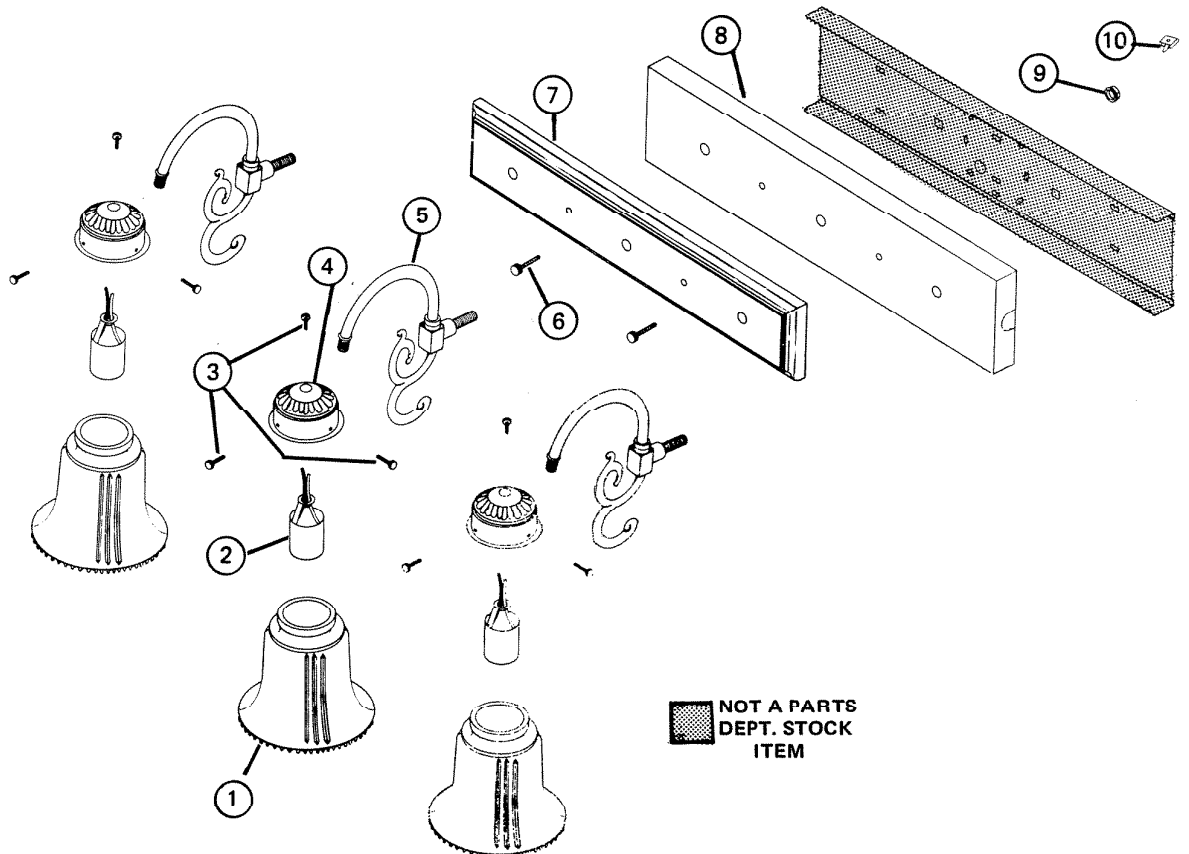


PARTS LIST

EFFECTIVE DATE	MODEL	PRODUCT GROUP
JANUARY 1985	DL-555 NEW	BATH LIGHTING



REF.	ORIGINAL PART NO.	* PART DESCRIPTION	MODEL USED ON	CURRENT REPLACEMENT PART NO.
1	L6846	SHADE (1) - 3 REQUIRED	DL-555	L6846-000
2	L6954	SOCKET (1) - 3 REQUIRED	DL-555	L6954-000
3	0827A	THUMB SCREW SET (3)	DL-555	0827A-000
4	L6845	HOLDER (1) - 3 REQUIRED	DL-555	L6845-027
5	L6844	BENT ARM ASSEMBLY	DL-555	L6844-027
6	L6842	THUMB SCREW (1) 8-32 X 1 3/4	DL-555	L6842-027
7	L6859	TOP PANEL	DL-555	L6859-A12
8	L6858	COVER	DL-555	L6858-000
9	L2734	BUSHING (PLASTIC)	DL-555	L2734-000
10	L6817	SPEED CLIP	DL-555	L6817-000

NuTone

PRINTED IN U.S.A.

NOTE: Always order by current part number.