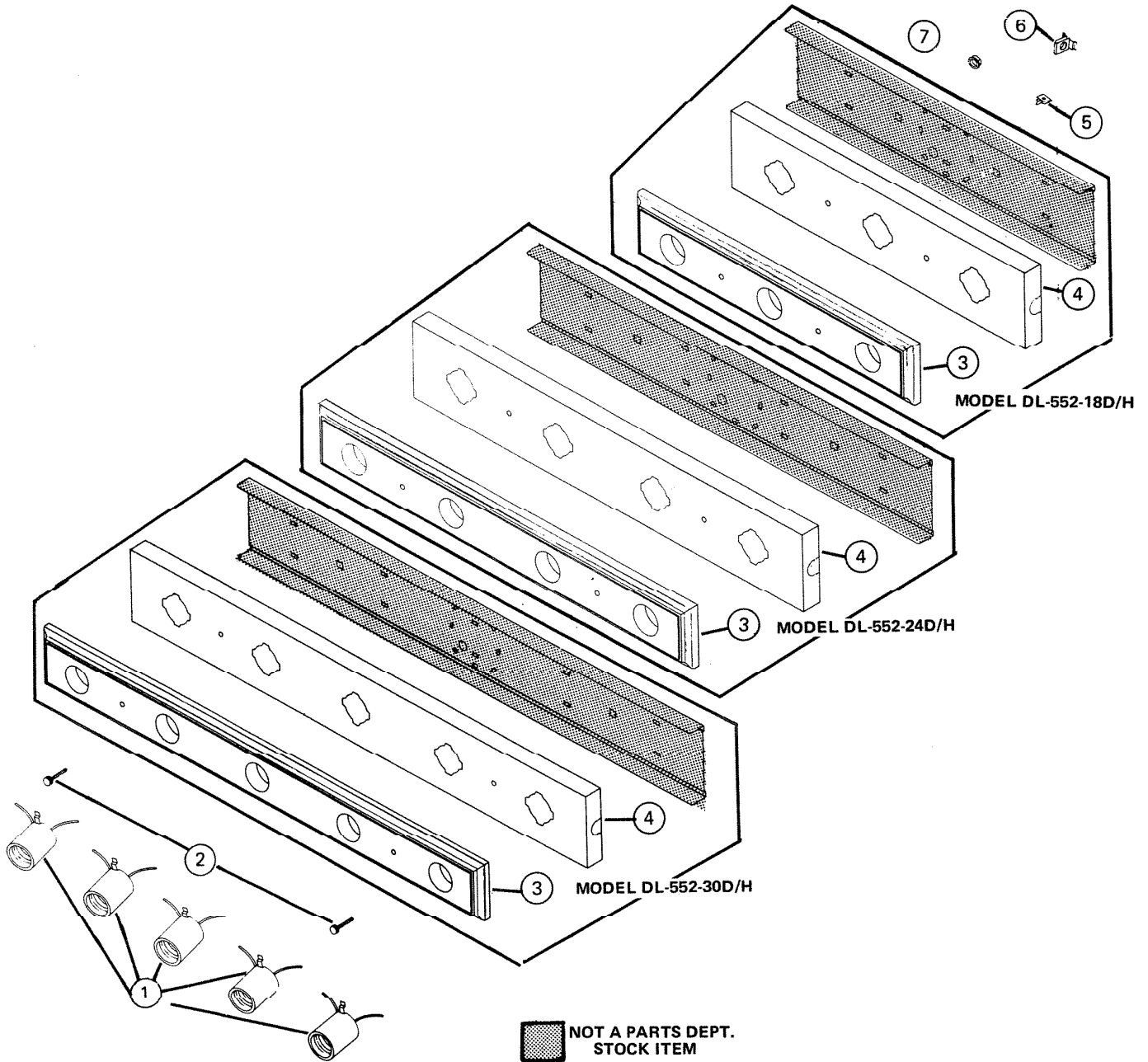


PARTS LIST

EFFECTIVE DATE	MODEL	PRODUCT GROUP
MARCH 1984	DL-552 D/H 18.24.30 NEW	BATH CABINET



REF.	ORIGINAL PART NO.	* PART DESCRIPTION	MODEL USED ON	CURRENT REPLACEMENT PART NO.
1	L6816	SOCKET (1) SNAP IN	3 REQUIRED DL-552-18 D/H	L6816-000
			4 REQUIRED DL-552-24 D/H	
			5 REQUIRED DL-552-30 D/H	

NuTone

PLEASE SEE OTHER SIDE

NOTE Always order by current part number

REF.	ORIGINAL PART NO.	PART DESCRIPTION		MODEL USED ON	CURRENT REPLACEMENT PART NO.	
2	L6842	THUMB SCREW (1)		D	DL-552	L6842-027
	L6842			H	18/24/30	L6842-048
3	L6847	TOP PANEL	18"	D	DL-552	L6847-A12
	L6847			H		L6847-A08
	L6851		24"	D	DL-552	L6851-A12
	L6851			H		L6851-A08
	L6855		30"	D	DL-552	L6855-A12
	L6855			H		L6855-A08
4	L6819	COVER	18"	D	DL-552	L6819-000
	L6818			H		L6818-000
	L6830		24"	D	DL-552	L6830-000
	L6829			H		L6829-000
	L6840		30"	D	DL-552	L6840-000
	L6839			H		L6839-000
5	L6817	SPEED CLIP		DL-552 D/H 18/24/30	L6817-000	
6	L6531	BUSHING		DL-552 D/H 18/24/30	L6531-000	
7	L2734	BUSHING (PLASTIC)		DL-552 D/H 18/24/30	L2734-000	