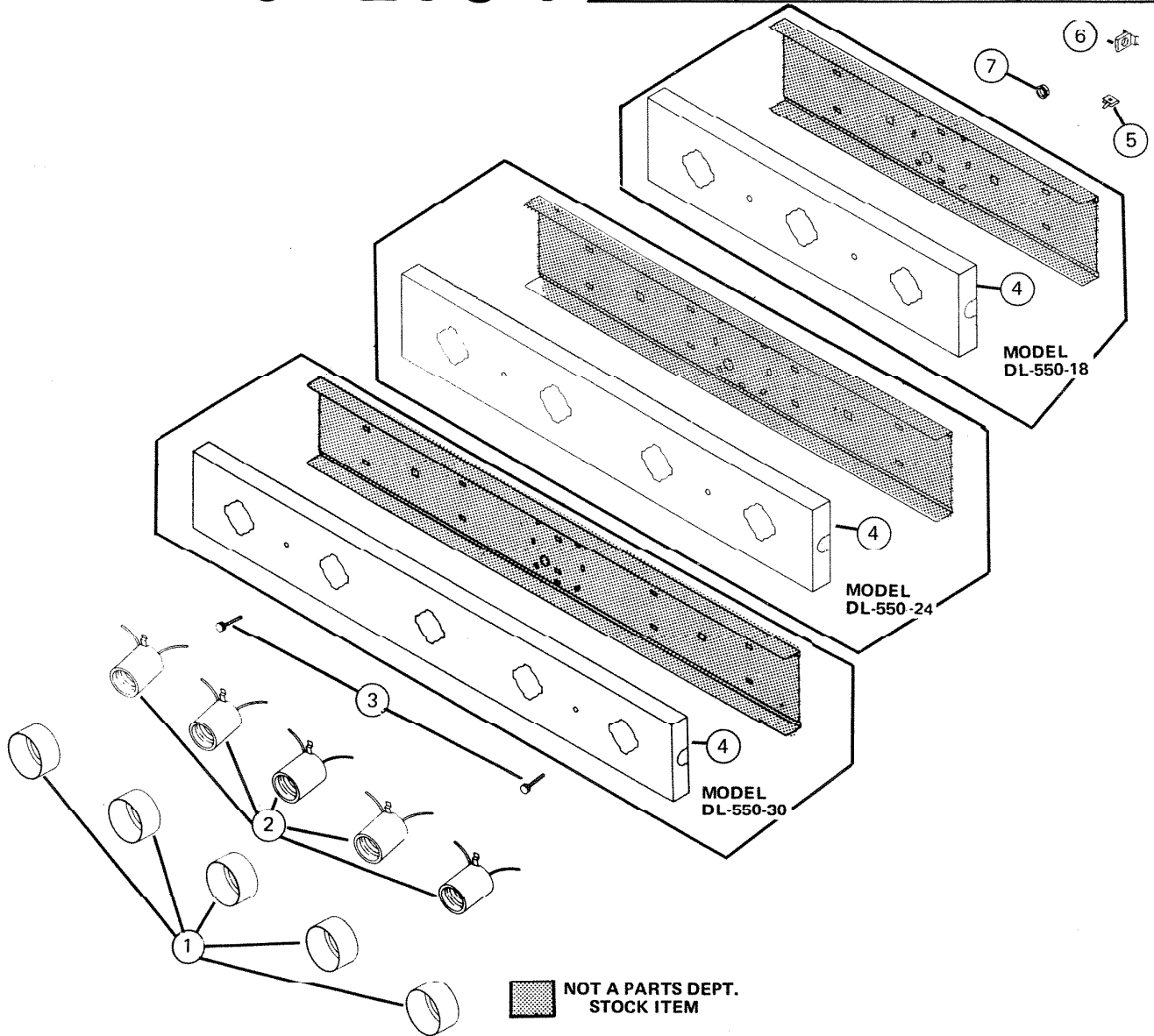


# PARTS LIST

EFFECTIVE DATE	MODEL	PRODUCT GROUP
MARCH 1984	DL-550 PB/AB/PC 18.24.30 NEW	BATH CABINET



REF.	ORIGINAL PART NO.	* PART DESCRIPTION	MODEL USED ON	CURRENT REPLACEMENT PART NO.
1	L6821	SOCKET CUP (1)	DL-550-18 PB	L6821-048
	L6821		DL-550-24 AB	L6821-027
	L6821		DL-550-30 PC	L6821-001
(PLEASE SEE OTHER SIDE)				

NuTone

PRINTED IN U.S.A.

NOTE: Always order by current part number.

REF	ORIGINAL PART NO	PART DESCRIPTION		MODEL USED ON	CURRENT REPLACEMENT PART NO	
2	L6816	SOCKET (1) SNAP IN	3 REQUIRED 18" 4 REQUIRED 24" 5 REQUIRED 30"	DL-550 18,24,30 PB/AB/PC	L6816-000	
3	L6822	THUMB SCREW (1) 2 REQUIRED	PB	DL-550 18,24,30	L6822-048	
	L6822				AB	L6822-027
	L6822				PC	L6822-039
4	L6818	COVER	18"	DL-550	L6818-000	
	L6819				AB	L6819-000
	L6820				PC	L6820-000
	L6829		24"	PB	DL-550	L6829-000
	L6830			AB		L6830-000
	L6831			PC		L6831-000
	L6839		30"	PB	DL-550	L6839-000
	L6840			AB		L6840-000
	L6841			PC		L6841-000
5	L6817	SPEED CLIP		DL-550 18,24,30 PB/AB/PC	L6817-000	
6	L6531	BUSHING		DL-550 18,24,30 PB/AB/PC	L6531-000	
7	L2734	BUSHING (PLASTIC)		DL-550 18,24,30, PB/AB/PC	L2734-000	