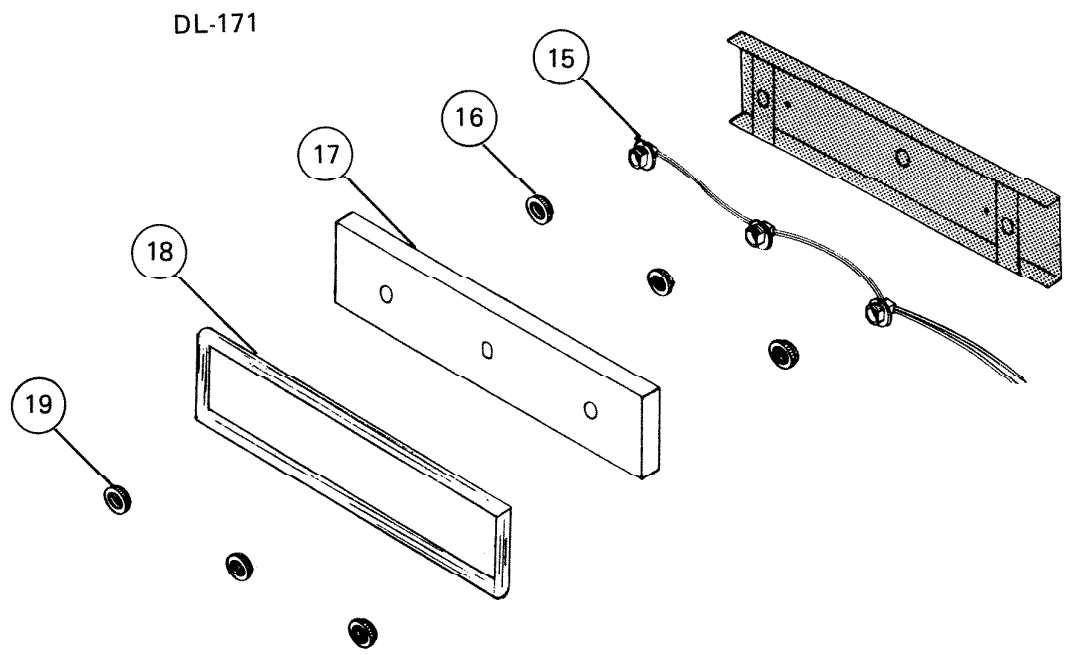
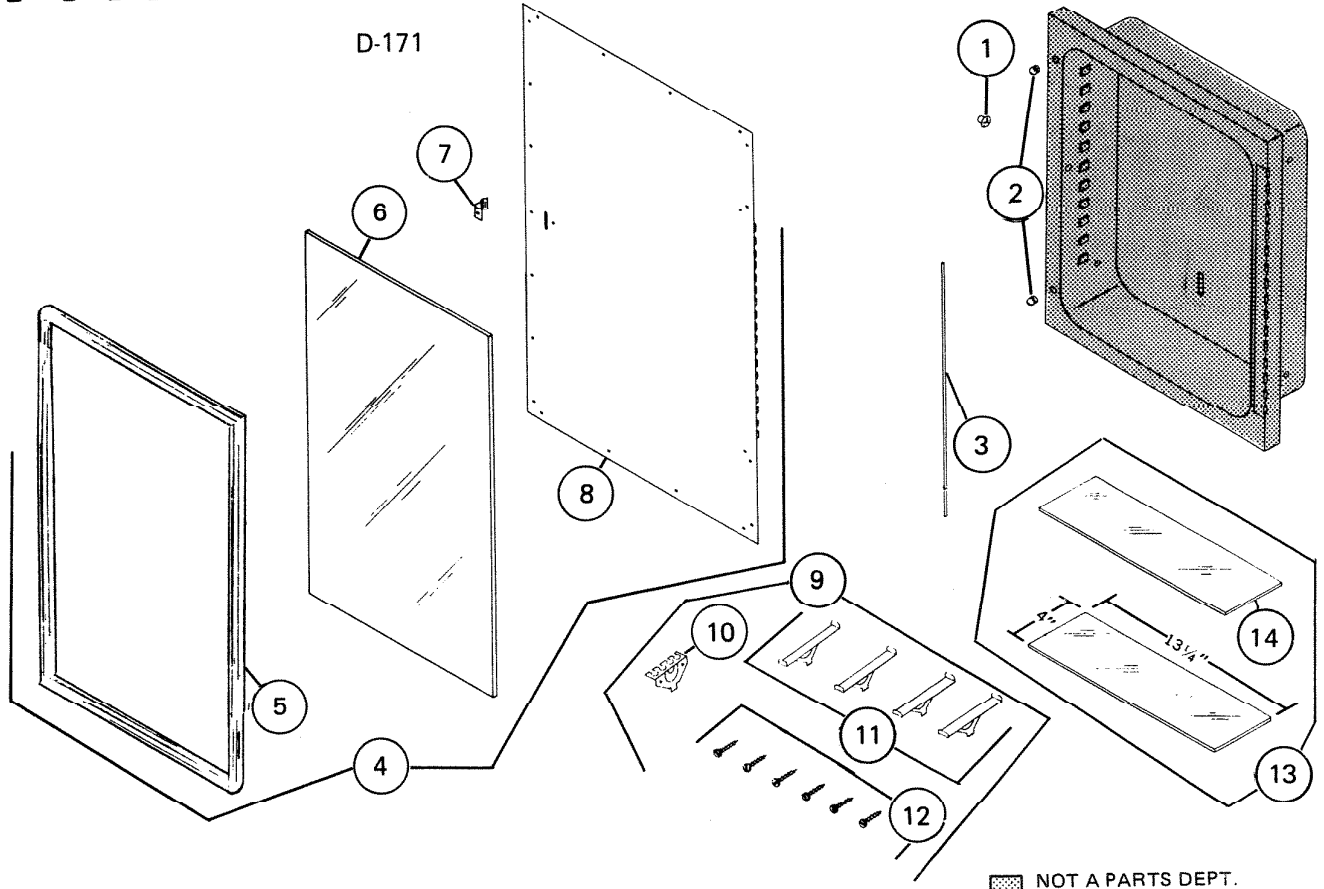



# PARTS LIST

EFFECTIVE DATE	MODEL	PRODUCT GROUP
SEPT. 1988	D-171 / DL-171 NEW	BATH CABINET



REF.	ORIGINAL PART NO	PART DESCRIPTION	MODEL USED ON	CURRENT REPLACEMENT PART NO
1	90555	BULLET CATCH	D-171	90555-000
2	90069	BUMPER SET (2)	D-171	2093A-000
3	90075	HINGE PIN	D-171	90075-000
4	96810	DOOR ASSEMBLY	D-171	96810-000
5	96811	FRAME ASSEMBLY	D-171	96811-019
6	96815	MIRROR – 14–17/32" x 23–17/32"	D-171	96815-000
7	90067	DOOR CATCH	D-171	90067-000
8	96817	DOOR BACK & HINGE ASSEMBLY	D-171	96817-206
9	92265	HARDWARE SET	D-171	92265-000
10	92264	TOOTHBRUSH HOLDER	D-171	92264-000
11	90039	SHELF SUPPORT (1)	D-171	90039-000
12	69789	SCREW SET (6) – No. 8 x 1-1/4 P.H.	D-171	69781-000
13	90042	SHELF BUNDLE	D-171	90042-000
14	90743	SHELF (1) – 4" x 13-1/4"	D-171	90743-000
15	96824	LAMP SOCKET HARNESS	DL-171	96824-000
16	96825	FLAT RING (1)	DL-171	96825-000
17	96829	COVER	DL-171	96829-000
18	96827	FRAME –LIGHTS	DL-171	96827-019
19	96830	RING	DL-171	96916-000
				 <b>NOTE: Always order by current part number.</b>