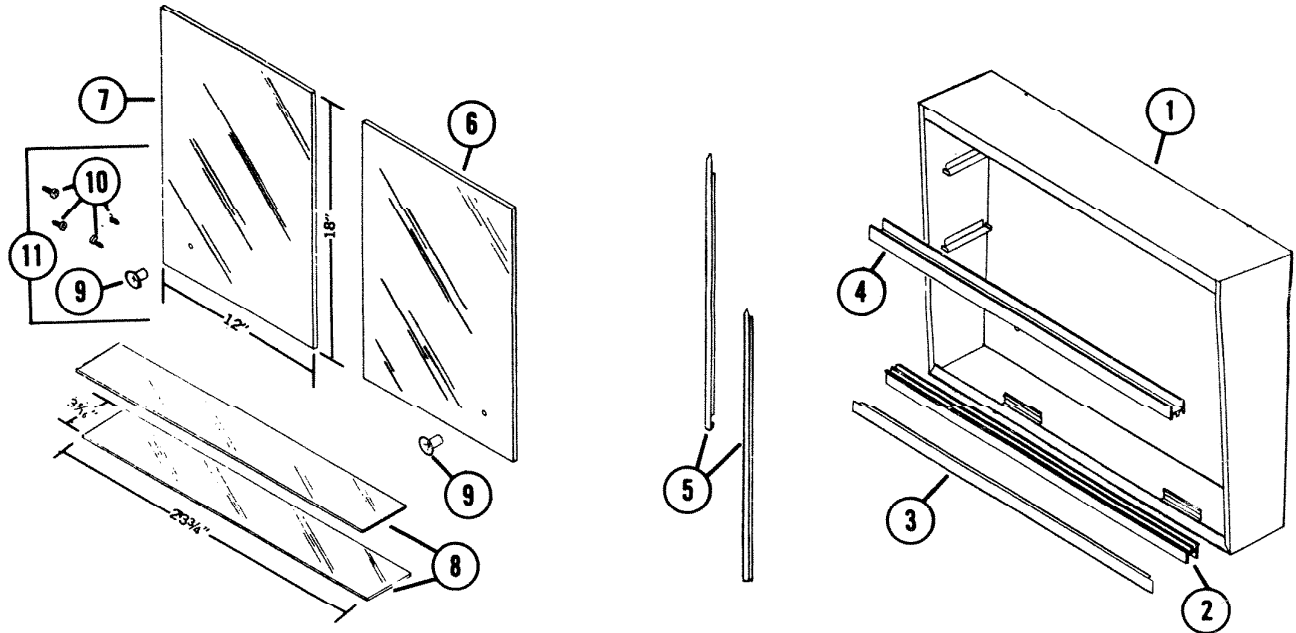


# PARTS LIST

<b>MODEL</b>	D924D — D924P BATH CABINET
<b>EFFECTIVE DATE</b>	NOVEMBER, 1973



REF.	ORIGINAL PART NO.	* PART DESCRIPTION	MODEL USED ON	CURRENT REPLACEMENT PART NO.
1	91065-000	BODY ASSEMBLY	D924D D924P	<b>91065-206</b>
2	90992-000 90991-000	TRACK-BOTTOM	D924D D924P	<b>90992-000</b> <b>90991-000</b>
3	92318-000	FRAME — TOP OR BOTTOM	D924D D924P	<b>92318-000</b>
4	90990-000 90989-000	TRACK-TOP	D924D D924P	<b>90990-000</b> <b>90989-000</b>
5	92317-000	FRAME SIDE — LEFT OR RIGHT	D924D D924P	<b>92317-000</b>
6	91004-000 91002-000	MIRROR R.H. — 12" x 18"	D924D D924P	<b>91004-000</b> <b>91002-000</b>
7	91005-000 91003-000	MIRROR L.H. — 12" x 18"	D924D D924P	<b>91005-000</b> <b>91003-000</b>
8	91000-000 90999-000	SHELF	D924D D924P	<b>91000-000</b> <b>90999-000</b>
9	90214-000	KNOB (ONE)                      2 REQUIRED	D924D D924P	<b>90214-000</b>
10	90040-000	MOUNTING SCREWS              SET OF 6	D924D D924P	<b>69781-000</b>
11	90353-000	HARDWARE SET (REF. NO's 9 & 10)	D924D D924P	<b>90353-000</b>

**NuTone Division**

Order Parts From:  
Parts Department c/o NuTone  
P.O. Box 27 • Cincinnati, Ohio 45227

**NOTE:** Always order by current part number.