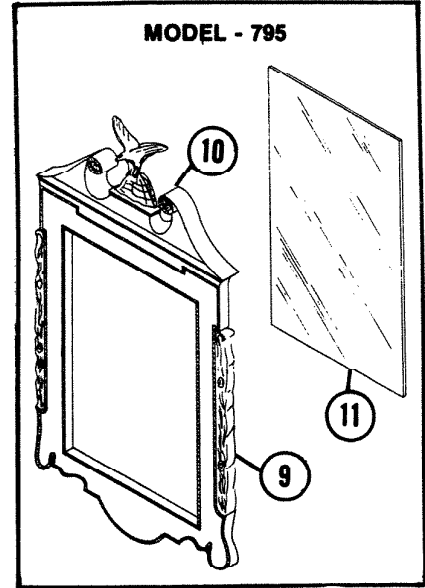
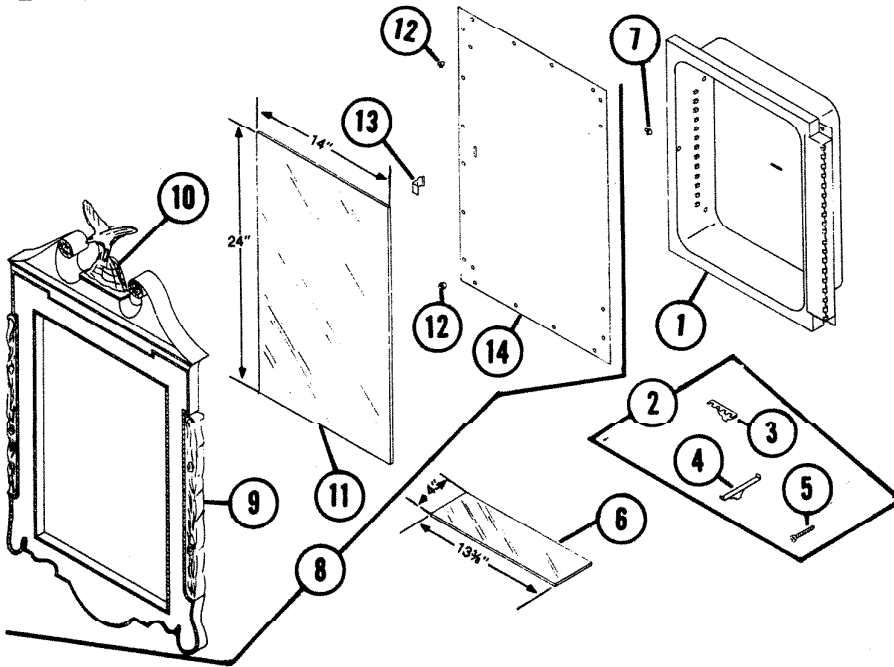


PARTS LIST

MODEL	D-86 D-87 BATH CABINET 795
EFFECTIVE DATE	JANUARY 1976



REF.	ORIGINAL PART NO.	* PART DESCRIPTION	MODEL USED ON	CURRENT REPLACEMENT PART NO.
1	93933	Body & Hinge Assy.	D-86	93933-206
	93934		D-87	93934-206
2	90141	Hardware Set	D-86	90141-000
	92268		D-87	92268-000
3	92264	Tooth Brush Holder	D-86 D-87	92264-000
4	90039	Shelf Support (1)	4 required D-86	90039-000
			6 required D-87	
5	69781	Mtg. Screw Set (6)	D-86 D-87	69781-000
6	90043	Shelf 4" x 13 3/8"	One D-86, D-87	90043-000
	90042		Set of 2 D-86	90042-000
	93955		Set of 3 D-87	93955-000
7	90555	Catch Bullet	D-86 D-87	90555-000
8	2140A	Door Assy.	D-86 D-87	2140A-000
9	2141A	Frame Assy. w/Eagle	D-86, D-87 795	2141A-000
10	93985	Eagle Assy.	D-86, D-87 795	93985-000
11	93058	Mirror	D-86, D-87 795	93058-000
12	90069	Bumper (1) 2 Required	D-86 D-87	90069-000
Please See Other Side				

NuTone Division

Order Parts From:
Parts Department c/o NuTone
P.O. Box 27 • Cincinnati, Ohio 45227

↑

NOTE: Always order by current part number

REF.	ORIGINAL PART NO	PART DESCRIPTION	MODEL USED ON	CORRESPONDING PART NO
13	90067	Catch - Door	D-86 D-87	90067-000
14	93983	Door Back & Hinge Assy.	D-86 D-87	93983-000
—	90075	Hinge Pin (Not Shown)	D-86 D-87	90075-000
—	93202	Mirror Backing (Not Shown)	795	93202-000
—	91364	Hanger (Not Shown)	795	91364-000