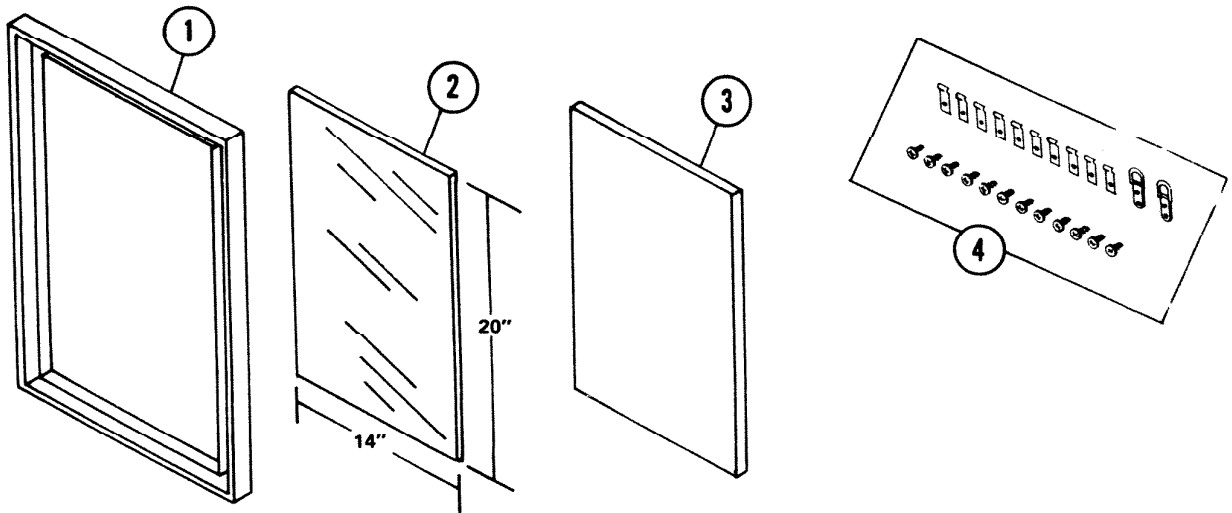


PARTS LIST

EFFECTIVE DATE	MODEL	PRODUCT GROUP
JUNE 1978	748 REVISED	BATH CABINET



REF.	ORIGINAL PART NO.	* PART DESCRIPTION	MODEL USED ON	CURRENT REPLACEMENT PART NO.
1	90112	FRAME WHITE	748	90112-000
2	90106	MIRROR NOTE MIRROR MAY BE PURCHASED FROM LOCAL GLASS SHOP SIZE: 1/4" x 14" x 20"	748	90106-000
3	93204	BACKING	748	93204-000
4	91364	MIRROR HANGER KIT	748	69791-000

NuTone

NOTE: Always order by current part number.