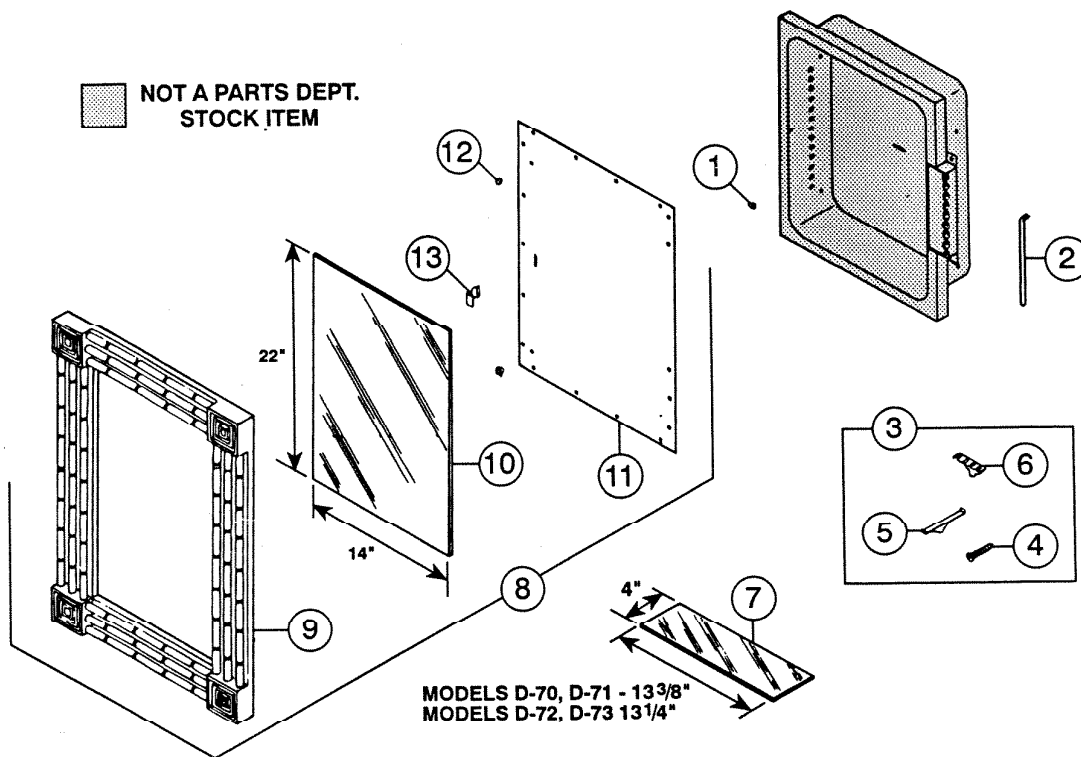


NuTone PARTS LIST

EFFECTIVE DATE	MODEL NUMBER	PRODUCT GROUP
MAY 1993	D-70, D-72, D-73 REVISED EARLY PRODUCTION REVISED	BATH CABINET



REF.	ORIGINAL PART NO.	*PART DESCRIPTION	MODEL USED ON	CURRENT REPLACEMENT PART NO.
1	90555	CATCH BULLET	All Models	90555-000
2	90010	HINGE PIN	All Models	90010-000
3	90141	HARDWARE SET	D-70	90141-000
	92268		D-72, D-73	92268-000
4	69781	MFG. SCREW SET OF 6	All Models	69781-000
5	90039	SHELF SUPPORT (1)	4 required	90039-000
			6 required	
6	92264	TOOTHBRUSH HOLDER	All Models	92264-000

NOTE: Always order by current part number

REF.	ORIGINAL PART NO.	*PART DESCRIPTION		MODEL USED ON	CURRENT REPLACEMENT PART NO.
7	90043	SHELF	4" x 13 ³ / ₈ " one set of 2	D-70	90043-000
	90042		4" x 13 ¹ / ₄ " one set of 3		
	90743			D-72	90743-000
	90742		D-73	90742-000	
8	93679	DOOR ASSEMBLY COMPLETE		D-70	NOT AVAILABLE
	93680				
9	93674-306	FRAME		D-70, D-72	NOT AVAILABLE
	93674-308			D-73	NOT AVAILABLE
10	90106	MIRROR 14" x 22"		All Models	90106-000
11	93647	DOOR BACK and HINGE ASSEMBLY		All Models	NOT AVAILABLE
12	90069	BUMPER (1)		All Models	90069-000
13	90067	CATCH-DOOR		All Models	90067-000

↑

NOTE: Always order by current part number