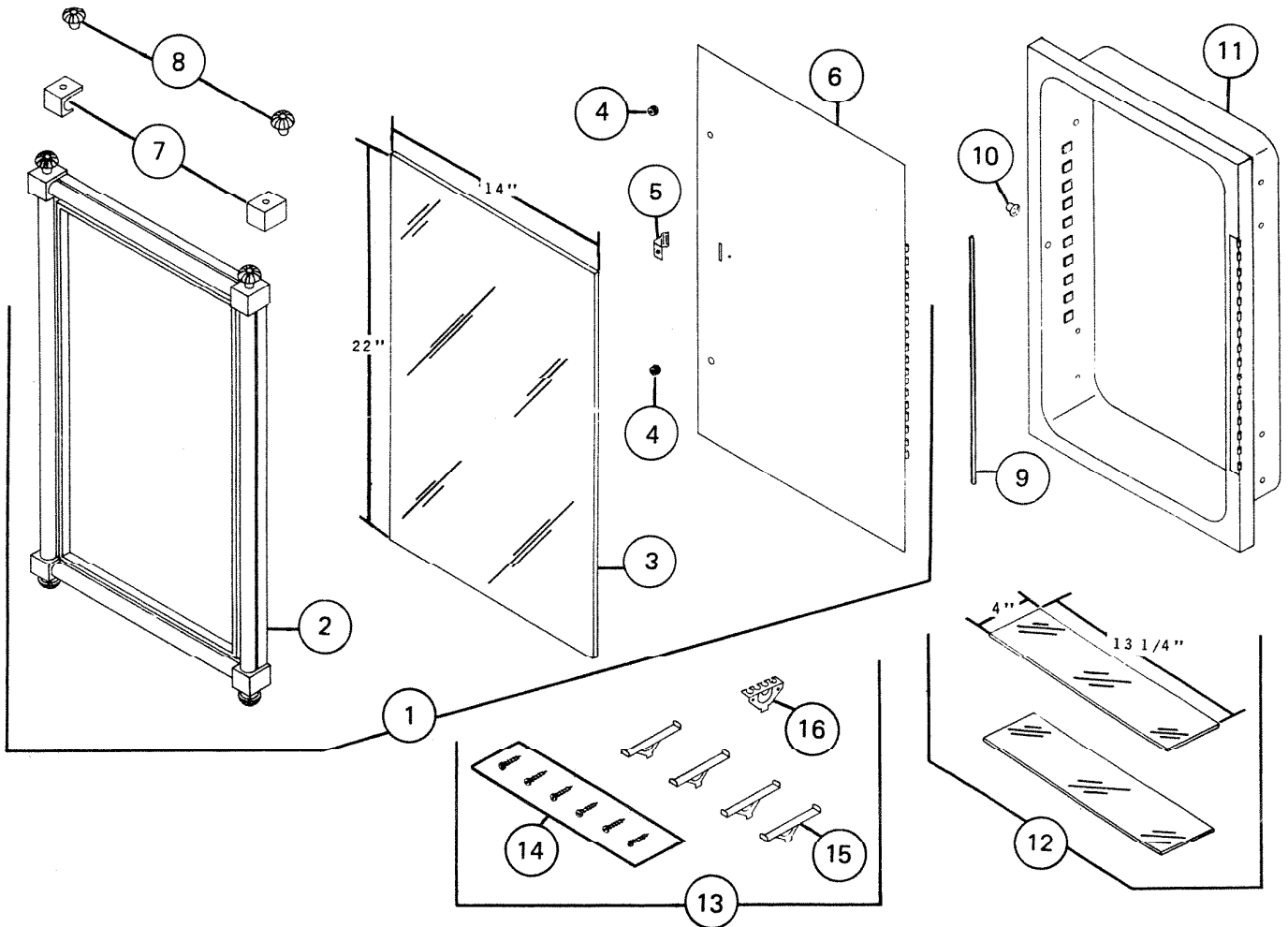


PARTS LIST

EFFECTIVE DATE	MODEL	PRODUCT GROUP
AUGUST 1980	D-62, D-63 REVISED	BATH CABINET



REF	ORIGINAL PART NO.	* PART DESCRIPTION	MODEL USED ON	CURRENT REPLACEMENT PART NO.
1	93763	DOOR ASSEMBLY COMP.	D-62, D-63	93763-000
2	93764	MIRROR FRAME COMP.	D-62, D-63	93764-000
3	93058	MIRROR — May be purchased from local glass shop. Size: 1/4" x 14" x 24" Plate.	D-62, D-63	94850-000
4	90069	BUMPER	D-62, D-63	2093A-000
5	90067	CATCH — DOOR	D-62, D-63	90067-000
6	93056	DOOR BACK & HINGE ASSEMBLY	D-62, D-63	93056-206
		(PLEASE SEE OTHER SIDE)		

NuTone Division

NOTE: Always order by current part number.

PL-D-62, D-63

REF.	ORIGINAL PART NO	* PART DESCRIPTION		MODEL USED ON	CURRENT REPLACEMENT PART NO.	
7	0723A	CORNER CAP ONLY	TOP RIGHT & LOWER LEFT	D-62, D-63	0723A-000	
	0724A		TOP LEFT & LOWER RIGHT	D-62, D-63	0724A-000	
8	93770	FINIAL (1) – 4 REQUIRED		D-62, D-63	93770-000	
9	90075	HINGE PIN		D-62, D-63	90075-000	
10	90555	CATCH BULLET		D-62, D-63	90555-000	
11	90097	BODY ASSEMBLY		D-62	90058-000	
	93079			D-63	93078-000	
12	90743	SHELF'S	1/8" x 4" x 13 1/4"	ONE	D-62	90743-000
	90042			SET OF 2		90042-000
	90743		ONE	D-63	90743-000	
	90742		SET OF 3		90742-000	
13	90141	HARDWARE ASSEMBLY		D-62	92265-000	
	92268			D-63	92268-000	
14	69781	SCREW SET		D-62, D-63	69781-000	
15	90039	SHELF SUPPORT (1)	4 - REQUIRED	D-62	90039-000	
			6 - REQUIRED	D-63		
16	92264	TOOTHBRUSH HOLDER		D-62, D-63	92264-000	