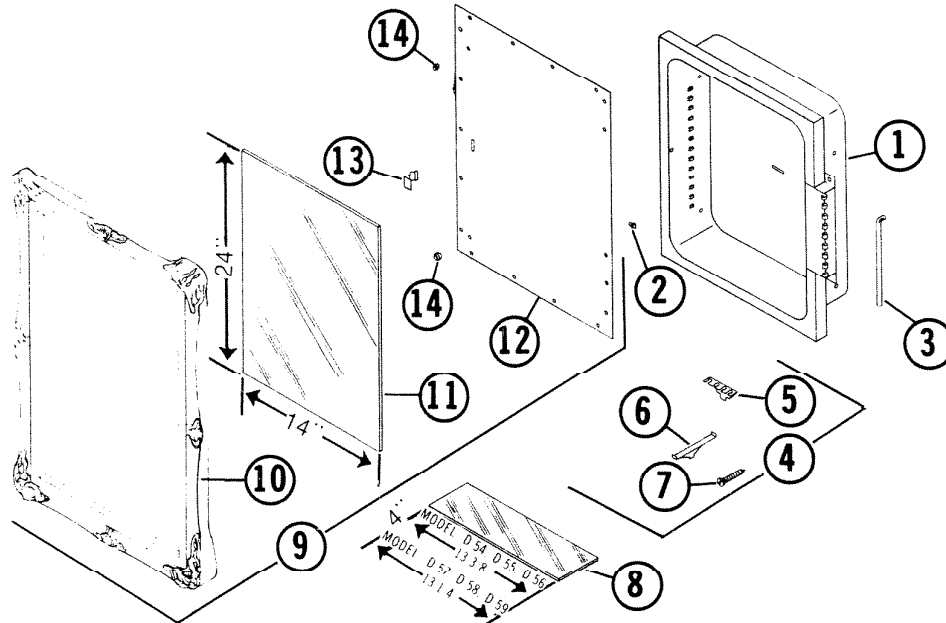


PARTS LIST

MODEL	D-54, D-55, D-56 D-57, D-58, D-59 BATH CABINET
EFFECTIVE DATE	NEW JAN. 1975



REF	ORIGINAL PART NO.	* PART DESCRIPTION	MODEL USED ON	CURRENT REPLACEMENT PART NO.
1	93036	Body and Hinge Assembly	D-54, D-55, D-56	93036-206
	93075		D-57, D-58, D-59	93075-206
2	90555	Catch-Bullet	D-55, D-56, D-57 D-57, D-58, D-59	90555-000
3	90010	Hinge Pin	D-54, D-55, D-56 D-57, D-58, D-59	90010-000
4	90141	Hardware Assembly	D-54, D-55, D-56	90141-000
	92268		D-57, D-58, D-59	92268-000
5	92264	Toothbrush Holder	D-54, D-55, D-56 D-57, D-58, D-59	92264-000
6	90039	Shelf Support (1) 4-Required	D-54, D-55, D-56 D-57, D-58, D-59	90039-000
7	69781	Mfg. Screws Set of 6	D-54, D-55, D-56 D-57, D-58, D-59	69781-000
8	90043	Shelf /'s	One D-54	90043-000
	90042		Set of 2 D-55, D-56	90042-000
	90743		One D-57	90743-000
	90742		Set of 3 D-58, D-59	90742-000
9	93644	Door Assy. Comp.	Wht. & Gold D-54, D-57	93644-000
	93645		Walnut D-55, D-58	93645-000
	93646		Ant. Gold D-56, D-59	93646-000
10	93649	Frame	Wht. & Gold D-54, D-57	93649-000
	93650		Walnut D-55, D-58	93650-000
	93651		Ant. Gold D-56, D-59	93651-000
11	93058	Mirror 14" x 24"	D-54, D-55, D-56 D-57, D-58, D-59	93058-000
PLEASE SEE OTHER SIDE				

NuTone

Order Parts From:
Parts Department c/o NuTone
P.O. Box 27 • Cincinnati, Ohio 45227

NOTE: Always order by current part number.

REF.	ORIGINAL PART NO.	* PART DESCRIPTION	MODEL USED ON	CURRENT REPLACEMENT PART NO.
12	93647	Door Backs & Hinge Assy.	D-54,D-55,D-56 D-57,D-58,D-59	93647-206
13	90067	Catch-Door	D-54,D-55,D-56 D-57,D-58,D-59	90067-000
14	90069	Bumper (1) 2-Required	D-54,D-55,D-56 D-57,D-58,D-59	90069-000