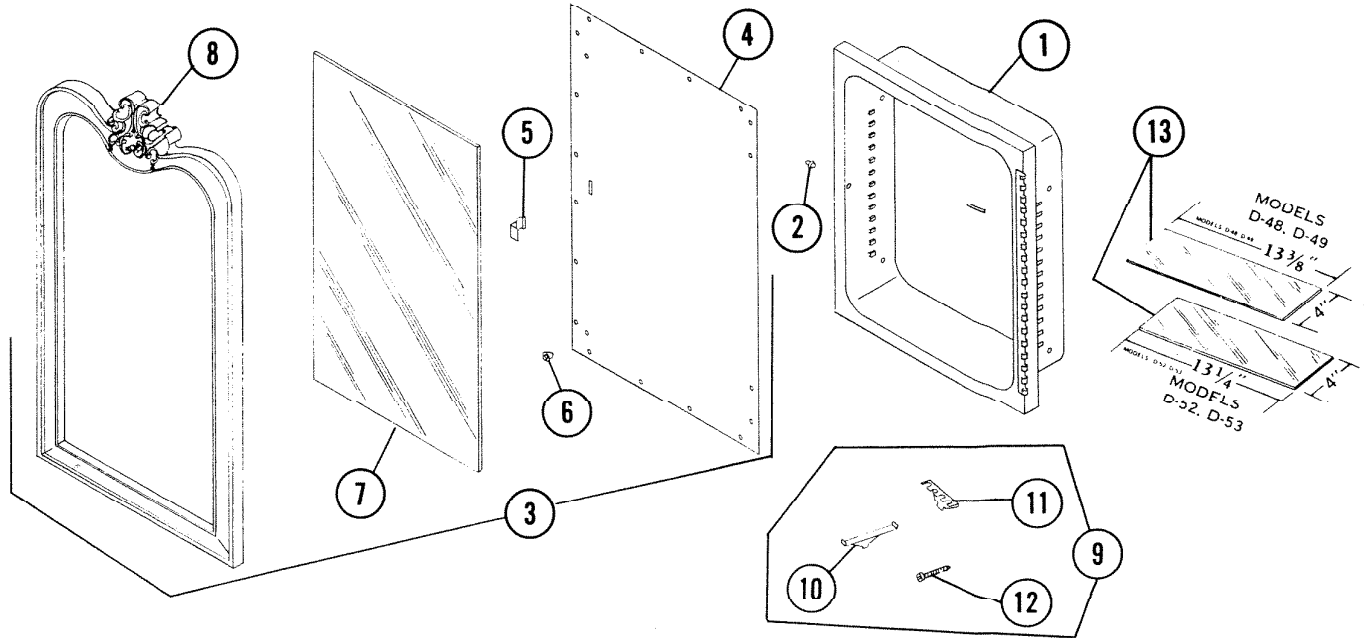


# PARTS LIST

<b>MODEL</b>	D-48, D-49, D-52, D-53 BATH CABINET
<b>EFFECTIVE DATE</b>	MAY - 1975



REF.	ORIGINAL PART NO.	* PART DESCRIPTION	MODEL USED ON	CURRENT REPLACEMENT PART NO.
1	90097-000	BODY & HINGE ASSY.	D-48, D-49	<b>90097-206</b>
	93079-000		D-52, D-53	<b>93079-206</b>
2	90555-000	CATCH BULLET	D-48, D-49 D-52, D-53	<b>90555-000</b>
3	93585-000	DOOR ASSY.	D-48, D-52	<b>93585-000</b>
	93586-000		D-49, D-53	<b>93586-000</b>
4	93587-000	DOOR BACKS & HINGE ASSY.	D-48, D-49 D-52, D-53	<b>93587-206</b>
5	90067-000	CATCH DOOR	D-48, D-49 D-52, D-53	<b>90067-000</b>
6	90069-000	BUMPER (1) 2-REQUIRED	D-48, D-49 D-52, D-53	<b>90069-000</b>
7	93577-000	MIRROR	D-48, D-49 D-52, D-53	<b>93577-000</b>
	93589-000	BACKING MIRROR (NOT SHOWN)	D-48, D-49 D-52, D-53	<b>93589-000</b>
8	93576-275	FRAME	D-48, D-52	<b>93576-275</b>
	93576-274		D-49, D-53	<b>93576-274</b>
9	90075-000	HINGE PIN (NOT SHOWN)	D-48, D-49 D-52, D-53	<b>90075-000</b>
10	92265-000	HARDWARE SET	D-48, D-49	<b>92265-000</b>
	92268-000		D-52, D-53	<b>92268-000</b>
		PLEASE SEE OTHER SIDE		

**NuTone Division**

Order Parts From:  
Parts Department c/o NuTone  
P.O. Box 27 • Cincinnati, Ohio 45227

NOTE: Always order by  
current part number.

REF.	ORIGINAL PART NO.	* PART DESCRIPTION	MODEL USED ON	CURRENT REPLACEMENT PART NO.	
11	90039-000	SHELF SUPPORT (1)	D-48, D-49 U-52, U-53	<b>90039-000</b>	
12	92264-000	TOOTHBRUSH HOLDER	D-48, D-49 D-52, D-53	<b>92264-000</b>	
13	69781-000	MTG. SCEW SET OF 6	D-48, D-49 D-52, D-53	<b>69781-000</b>	
14	90043-000	SHELF	ONE	D-48	<b>90043-000</b>
	90042-000		SET OF 2	D-49	<b>90042-000</b>
	90743-000		ONE	D-52	<b>90743-000</b>
	90742-000		SET OF 3	D-53	<b>90742-000</b>