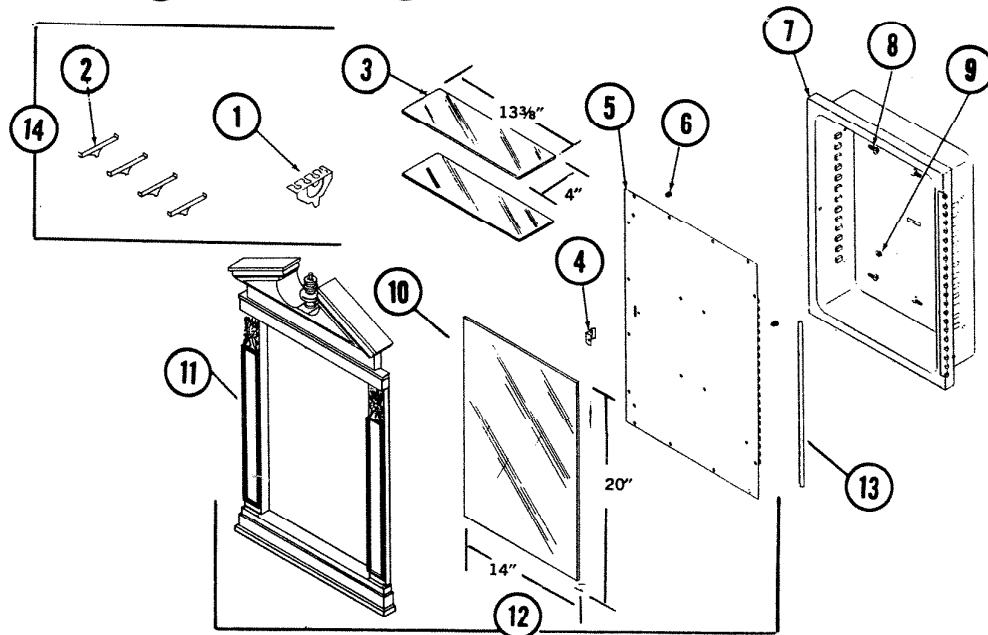


# PARTS LIST

<b>MODEL</b>	D-38 BATH CABINET
<b>EFFECTIVE DATE</b>	NEW – JANUARY, 1974



REF	ORIGINAL PART NO	* PART DESCRIPTION	MODEL USED ON	CURRENT REPLACEMENT PART NO
1	92264	TOOTHBRUSH HOLDER	D-38	92264-000
2	90039	SHELF SUPPORT (ONE) – 4 REQUIRED	D-38	90039-000
3	90043	SHELF ONE SET OF 2	D-38	90043-000
	90042			90042-000
4	90067	CATCH-DOOR	D-38	90067-000
5	90104	DOOR BACK AND HINGE ASSY.	D-38	90104-206
6	90069	BUMPER (ONE) – 2 REQUIRED	D-38	90069-000
7	90097	BODY AND HINGE ASSY.	D-38	90097-206
8	90040	MOUNTING SCREWS – SET OF 6	D-38	69781-000
9	90555	CATCH – BULLET	D-38	90555-000
10	90835	MIRROR 14" X 20"	D-38	90835-000
11	93307	FRAME ASSEMBLY	D-38	93307-000
12	93306	DOOR ASSEMBLY REF NOS. 4, 5, 6, 10 & 11	D-38	93306-000
13	90075	HINGE PIN	D-38	90075-000
14	92265	HARDWARE SET	D-38	92265-000

**NuTone**

Order Parts From:  
Parts Department c/o NuTone  
P.O. Box 27 • Cincinnati, Ohio 45227

NOTE: Always order by current part number

PL D38