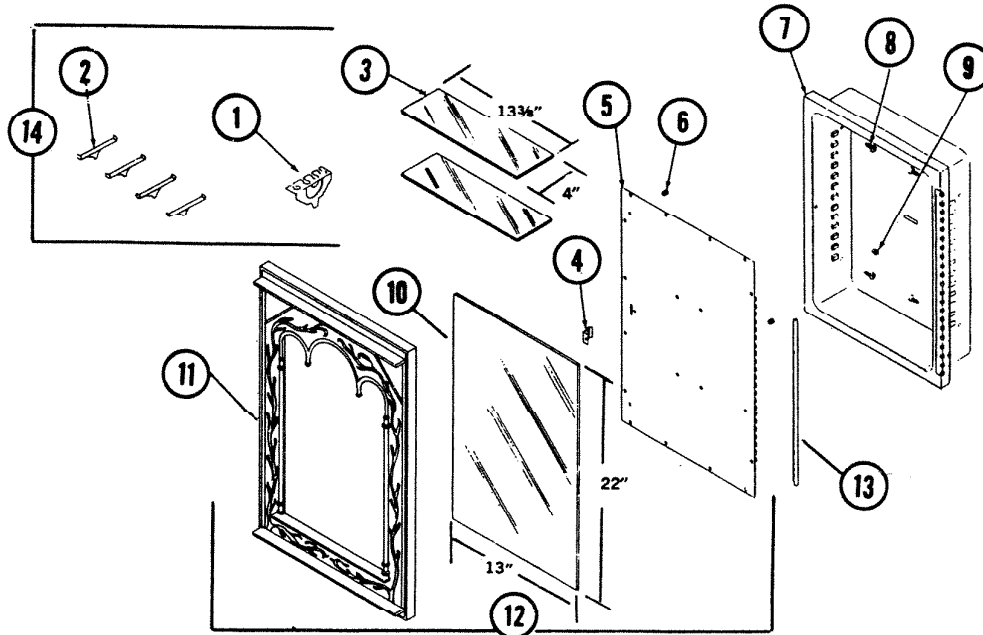


PARTS LIST

MODEL	D-36, D-37, D-41, D-42 BATH CABINET
EFFECTIVE DATE	NEW - JANUARY, 1974



REF	ORIGINAL PART NO	PART DESCRIPTION	MODEL USED ON	CURRENT REPLACEMENT PART NO
1	92264	TOOTHBRUSH HOLDER	D-36, D-37 D-41, D-42	92264-000
2	90039	SHELF SUPPORT (ONE)	D-36, D-37 D-41, D-42	90039-000
3	90043	SHELF	D-36, D-37	90043-000
	90042			90042-000
	90743		D-41, D-42	90743-000
	90742			90742-000
4	90067	CATCH-DOOR	D-36, D-37 D-41, D-42	90067-000
5	93056	DOOR BACK AND HINGE ASSEMBLY	D-36, D-37 D-41, D-42	93056-206
6	90069	BUMPER (ONE) - 2 REQUIRED	D-36, D-37 D-41, D-42	90069-000
7	90097	BODY AND HINGE ASSEMBLY	D-36, D-37	90097-206
	93079		D-41, D-42	93079-206
8	90040	MOUNTING SCREWS - SET OF 6	D-36, D-37 D-41, D-42	69781-000
9	90555	CATCH - BULLET	D-36, D-37 D-41, D-42	90555-000
10	93248	MIRROR - 13" X 22"	D-36, D-37 D-41, D-42	93248-000
PLEASE SEE OTHER SIDE				

NuTone Division

Order Parts From:
Parts Department c/o NuTone
P.O. Box 27 • Cincinnati, Ohio 45227

↑
NOTE: Always order by current part number
PL-D36-D37-D41-D42

REF	ORIGINAL PART NO	PART DESCRIPTION	MODEL USED ON	CURRENT REPLACEMENT PART NO	
11	93247	FRAME	EBONY GOLD/WHITE	D-36, D-41	93247-000
	93246			D-37, D-42	93246-000
12	93257	DOOR ASSEMBLY REF NOS. 4, 5, 6, 10 & 11		D-36, D-41	93257-000
	93258			D-37, D-42	93258-000
13	90075	HINGE PIN		D-36, D-37 D-41, D-42	90075-000
14	92268	HARDWARE SET		D-41, D-42	92268-000
	92265			D-36, D-37	92265-000