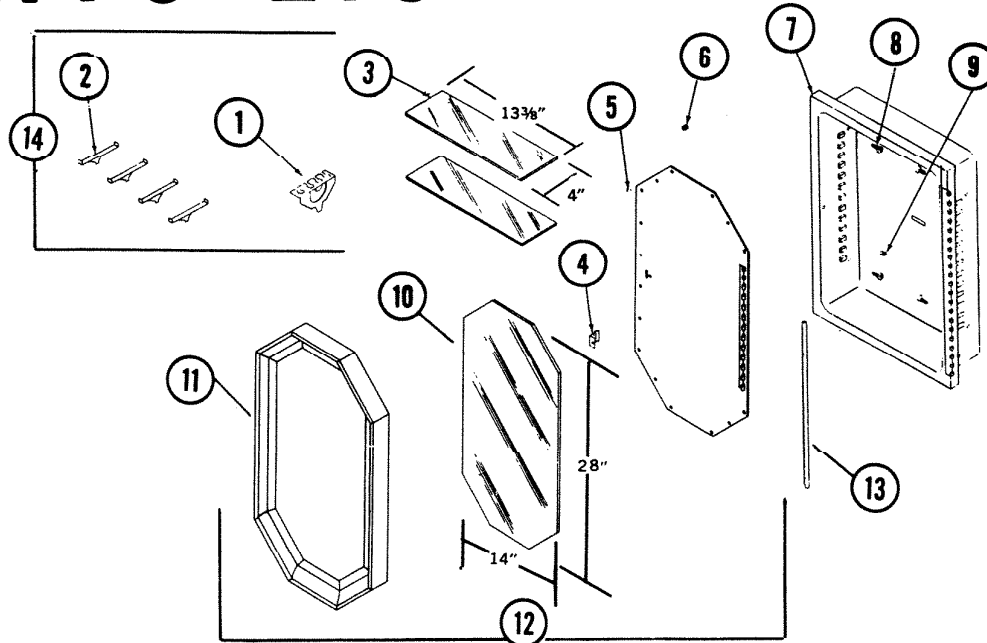


PARTS LIST

MODEL	D-35 BATH CABINET
EFFECTIVE DATE	NEW - JANUARY, 1974



REF	ORIGINAL PART NO	PART DESCRIPTION	MODEL USED ON	CURRENT REPLACEMENT PART NO.
1	90114 92264	TOOTHBRUSH HOLDER	D-35	92264-000
2	90039	SHELF SUPPORT (ONE) - 4 REQUIRED	D-35	90039-000
3	90043	SHELF ONE SET OF 2	D-35	90043-000
	90042		D-35	90042-000
4	90067	CATCH-DOOR	D-35	90067-000
5	93241	DOOR BACK & HINGE ASSEMBLY	D-35	93241-206
6	90069	BUMPER (ONE) - 2 REQUIRED	D-35	90069-000
7	90097	BODY AND HINGE ASSEMBLY	D-35	90097-206
8	90040	MOUNTING SCREWS - SET OF 6	D-35	69781-000
9	90555	CATCH - BULLET	D-35	90555-000
10	93243	MIRROR - 14" X 28" OCT.	D-35	93243-000
11	93244	FRAME (WALNUT)	D-35	93244-000
12	93240	DOOR ASSEMBLY REF. NOS. 4, 5, 6, 10 & 11	D-35	93240-000
13	90075	HINGE PIN	D-35	90075-000
14	90126	HARDWARE SET	D-35	92265-000
	92265			

NuTone Division

Order Parts From:
Parts Department c/o NuTone
P.O. Box 27 • Cincinnati, Ohio 45227

NOTE: Always order by
current part number

PL-D35