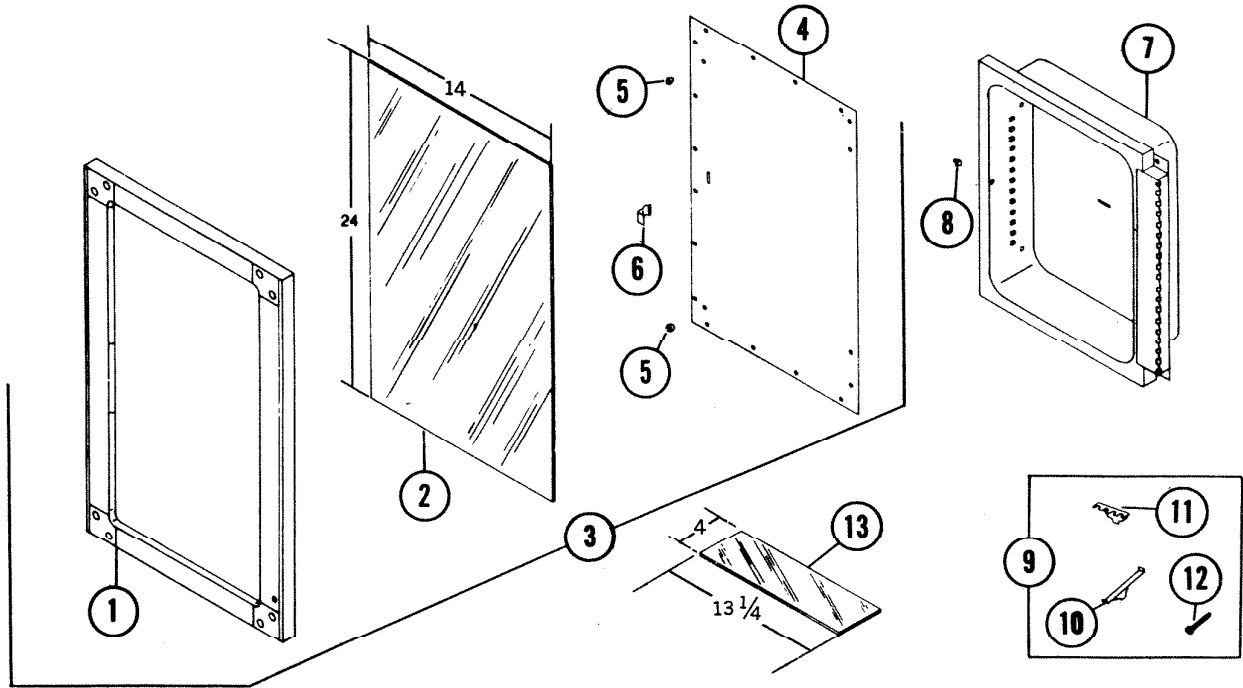


PARTS LIST

EFFECTIVE DATE	MODEL	PRODUCT GROUP
FEBRUARY 1979	D-30, D-30N REVISED	BATH CABINET



REF.	ORIGINAL PART NO.	* PART DESCRIPTION	MODEL USED ON	CURRENT REPLACEMENT PART NO.
1	93059	FRAME	D-30	2130A-000
	94035		D-30N	94035-000
2	93058	MIRROR NOTE: MAY BE PURCHASED AT LOCAL GLASS SHOP.	EARLY PROD 1/4 x 14 x 24	94850-000
	94850		CURRENT 1/8 x 14 x 24	
3	93055	DOOR ASSY COMP	D-30	94032-000
	94032		D-30N	
4	93056	DOOR BACK AND HINGE	D-30	93056-206
	94033		D-30N	94033-206
5	90069	BUMPER SET	D-30, D-30N	2093A-000
6	90067	CATCH - DOOR	D-30, D-30N	90067-000
7	90097	BODY ASSY W/BUMPER & BULLET CATCH	D-30, D-30N	90058-000
8	90555	CATCH BULLET	D-30, D-30N	90555-000
9	90141	HARDWARE SET	D-30, D-30N	90141-000
PLEASE SEE OTHER SIDE				

NuTone

↑
NOTE: Always order by
current part number.
PL-D-30, D-30N

REF.	ORIGINAL PART NO.	* PART DESCRIPTION	MODEL USED ON	CURRENT REPLACEMENT PART NO.	
10	90039	SHELF SUPPORT (1)	D-30, D-30N	90039-000	
11	92264	TOOTHBRUSH HOLDER	D-30, D-30N	92264-000	
12	69781	SCREW SET (6) MTG	D-30, D-30N	69781-000	
13	90743	SHELF/BUNDLE	ONE 4 x 13 1/4	D-30, D-30N	90743-000
	90042		SET OF THREE	D-30, D-30N	90042-000